



Wisconsin Department of Transportation

May 1, 2025

Division of Transportation Systems Development
 Bureau of Project Development
 4822 Madison Yards Way, 4th Floor South
 Madison, WI 53705

Telephone: (608) 266-1631
 Facsimile (FAX): (608) 266-8459

NOTICE TO ALL CONTRACTORS:

<p>Proposal #09: 1228-09-76 WISC 2025466 IH 43 North South Freeway Mitchell I/C-Marquette I/C On/Off Rmp IH 43 Milwaukee County</p>	<p>1228-09-78 IH 43 North South Freeway Howard Ave Bridge B40-0265 Loc Str Milwaukee County</p>
--	--

Letting of May 13, 2025

This is Addendum No. 01, which provides for the following:

Special Provisions:

Revised Special Provisions	
Article No.	Description
3.	Prosecution and Progress.

Added Special Provisions	
Article No.	Description
74.	Removing Concrete Surface Partial Depth, Item 204.0109.S.

Schedule of Items:

Revised Bid Item Quantities					
Bid Item	Item Description	Unit	Proposal Total Prior to Addendum	Proposal Quantity Change (-)	Proposal Total After Addendum
616.0206	Fence Chain Link 6-FT	LF	1,100	-10	1,090
634.0614	Posts Wood 4" x 6" x 14'	EACH	14	2	16
634.0616	Posts Wood 4" x 6" x 16'	EACH	54	-5	49
637.2210	Signs Type II Reflective H	SF	1446.73	-28.93	1417.80
638.2102	Moving Signs Type II	EACH	3	4	7
638.2602	Removing Signs Type II	EACH	216	8	224
638.3000	Removing Small Sign Supports	EACH	107	9	116
643.0910	Traffic Control Covering Signs Type I	EACH	5	3	8
646.2040	Marking Line Grooved Wet Ref Epoxy 6-Inch	LF	17,240	3,282	20,522

646.4040	Marking Line Grooved Wet Ref Epoxy 10-Inch	LF	6,290	563	6,853
646.5020	Marking Arrow Epoxy	EACH	38	2	40
646.5120	Marking Word Epoxy	EACH	5	1	6
646.6120	Marking Stop Line Epoxy 18-Inch	LF	656	20	676
646.7220	Marking Chevron Epoxy 24-Inch	LF	642	89	731
SPV.0090.03	Concrete Barrier Temporary Precast Left in Place	LF	112.5	-12.5	100

Added Bid Item Quantities					
Bid Item	Item Description	Unit	Proposal Total Prior to Addendum	Quantity Added	Proposal Total After Addendum
204.0109.S	Removing Concrete Surface Partial Depth	SF	0	206,253	206,253
204.0170	Removing Fence	LF	0	300	300
638.4000	Moving Small Sign Supports	EACH	0	3	3
646.7120	Marking Diagonal Epoxy 12-Inch	LF	0	78	78
646.7420	Marking Crosswalk Epoxy Transverse Line 6-Inch	LF	0	48	48

Plan Sheets:

Revised Plan Sheets	
Plan Sheet	Plan Sheet Title (brief description of changes to sheet)
42	Permanent Signing (Revised to remove Park & Ride and Crash Investigation Site signs)
43	Permanent Signing (Added, revised, and removed various signs for permanent closure of Park & Ride lot)
74	Pavement Marking (Revised legend)
77	Pavement Marking (Added pavement marking to the IH 43 SB Exit Ramp to Holt Ave)
149	Miscellaneous Quantities (Added removing concrete surface partial depth)
154	Miscellaneous Quantities (Revised Type I & II Permanent Signing table)
155	Miscellaneous Quantities (Revised Type I & II Permanent Signing table)
156	Miscellaneous Quantities (Revised Type I & II Permanent Signing table)
157	Miscellaneous Quantities (Revised Type I & II Permanent Signing table)
158	Miscellaneous Quantities (Revised Type I & II Permanent Signing table)
159	Miscellaneous Quantities (Revised Type I & II Permanent Signing table)
161	Miscellaneous Quantities (Revised Traffic Control Items table to note additional quantities shown elsewhere for Traffic Control Covering Signs Type I)
164	Miscellaneous Quantities (Revised Pavement Marking tables)
166	Miscellaneous Quantities (Revised Crash Cushion, Fencing, and Temporary Concrete Barrier tables)

Added Plan Sheets	
Plan Sheet	Plan Sheet Title (brief description of why sheet was added)
16A	Construction Details (Permanent Crash Cushion & Temporary Precast Concrete Barrier Left in Place)
43A	Permanent Signing (Added, revised, and removed various signs for permanent closure of Park & Ride lot)
77A	Pavement Marking (Added Pavement Marking sheet for IH 43 SB Exit Ramp to Holt Ave)
139A	Fencing (Added Fencing sheet for the Holt Ave Park & Ride)
159A	Miscellaneous Quantities (Revised Type I & II Permanent Signing table)
244A	SDD Crash Cushion/Sand Barrel Array and Other Temporary Layout Details

244B	SDD Crash Cushion/Sand Barrel Array and Other Temporary Layout Details
258A	SDD Fence Chain Link
258B	SDD Fence Chain Link

Deleted Plan Sheets	
Plan Sheet	Plan Sheet Title (brief description of why sheet was deleted)
23	Park and Ride – Holt Avenue (Other sheets were added/revise d to show this work in more detail)

The responsibility for notifying potential subcontractors and suppliers of these changes remains with the prime contractor.

Sincerely,

Mike Coleman

Proposal Development Specialist
Proposal Management Section

ADDENDUM NO. 01

1228-09-76/78

May 1, 2025

Special Provisions

3. Prosecution and Progress

*Replace paragraph two under section titled **State and Local Road Full Closure Exceptions** with the following:*

The full closure of Howard Ave for thin polymer overlay work shall occur during daytime off-peak hours. The contractor is allowed one full roadway closure for each direction of traffic for this work.

74. Removing Concrete Surface Partial Depth, Item 204.0109.S.

A Description

This special provision describes removing a portion of concrete surfaces as the plans show and conforming to standard spec 204.

B (Vacant)

C Construction

C.1 Equipment

Use a machine that provides a surface finish acceptable to the engineer. Shroud the machine to prevent discharge of any loosened material into adjacent work areas or live traffic lanes.

Use a machine that is equipped with electronic devices that provide accurate depth, grade and slope control, and acceptable dust control system.

C.2 Methods

Remove existing concrete to the depths as shown on the plan by grinding, planing, chipping, sawing, milling, or by using other methods approved by the engineer.

Perform the removal operation in such a manner as to preclude damage to the remaining pavement and results in a reasonable uniform plane surface free of excessive large scarification marks and having a uniform transverse slope.

The sequence of removal operations shall be such that no exposed longitudinal joints 2 inches or more in depth remain during non-working hours. Windrowing or storing of the removed material on the roadway will only be permitted in conjunction with a continuous removal and pick-up operation. During non-working hours, clear the roadway of all materials and equipment.

Removed pavement becomes the property of the contractor. Properly dispose of it as specified in standard spec 204.3.1.3.

D Measurement

The department will measure Removing Concrete Surface Partial Depth in area by the square foot of surface area removed.

E Payment

The department will pay for measured quantities at the contract unit price under the following bid item:

ITEM NUMBER	DESCRIPTION	UNIT
204.0109.S	Removing Concrete Surface Partial Depth	SF

Payment is in full compensation for removing the concrete; and for disposing of materials.

stp-204-041 (20080902)

Schedule of Items

Attached, dated May 1, 2025, are the revised Schedule of Items Pages 1 – 17.

Plan Sheets

The following 8½ x 11-inch sheets are attached and made part of the plans for this proposal:

Revised: 42, 43, 74, 77, 149, 154-159, 161, 164, and 166.

Added: 16A, 43A, 77A, 139A, 159A, 244A-B, and 258A-B.

Deleted: 23.

END OF ADDENDUM



Addendum No. 01
ID 1228-09-76
Added Sheet 16A
May 1, 2025



PERMANENT CRASH CUSHION & TEMPORARY PRECAST CONCRETE BARRIER LEFT IN PLACE
IH 43 SB EXIT RAMP TO HOLT AVE PARK & RIDE

PROJECT NO: 1228-09-76	COUNTY: MILWAUKEE	CONSTRUCTION DETAILS	SHEET 16A	E
FILE NAME: P:\60-WI19388-WISDOT-IH 43 RAMP SW WORK\CAD\12280906\SHEETS\02\00\CD PARK AND RIDE.DWG	HWY: IH 43	PLOT NAME: CHASE ZASTROW	PLOT SCALE: 1"=20' FT	WISDOT\PLANS SHEET 62
LAYOUT NAME: 021007A		PLOT DATE: 4/28/2025 5:47 PM		

Addendum No. 01
ID 1228-09-76
Deleted Sheet 23
May 1, 2025



6TH STREET

HOLT AVENUE

IH 43 SB

IH 43 NB

CONNECT TO EXISTING FENCE

GATE CHAIN LINK 22-FT

FENCE CHAIN LINK 6-FT

EXISTING ROW

EXISTING FENCE

CONNECT TO EXISTING FENCE

112.5' TEMPORARY PRECAST
CONCRETE BARRIER

PERMANENT CRASH
CUSHION TL-3

8:1

PROJECT NO: 1228-09-76

HWY: IH 43

COUNTY: MILWAUKEE

PLOT DATE: 4/2/2025 4:54 PM

PARK AND RIDE - HOLT AVENUE

PLOT NAME: SCHUMACHER, JAMES D

PLOT SCALE: 1 IN=100 FT

SHEET

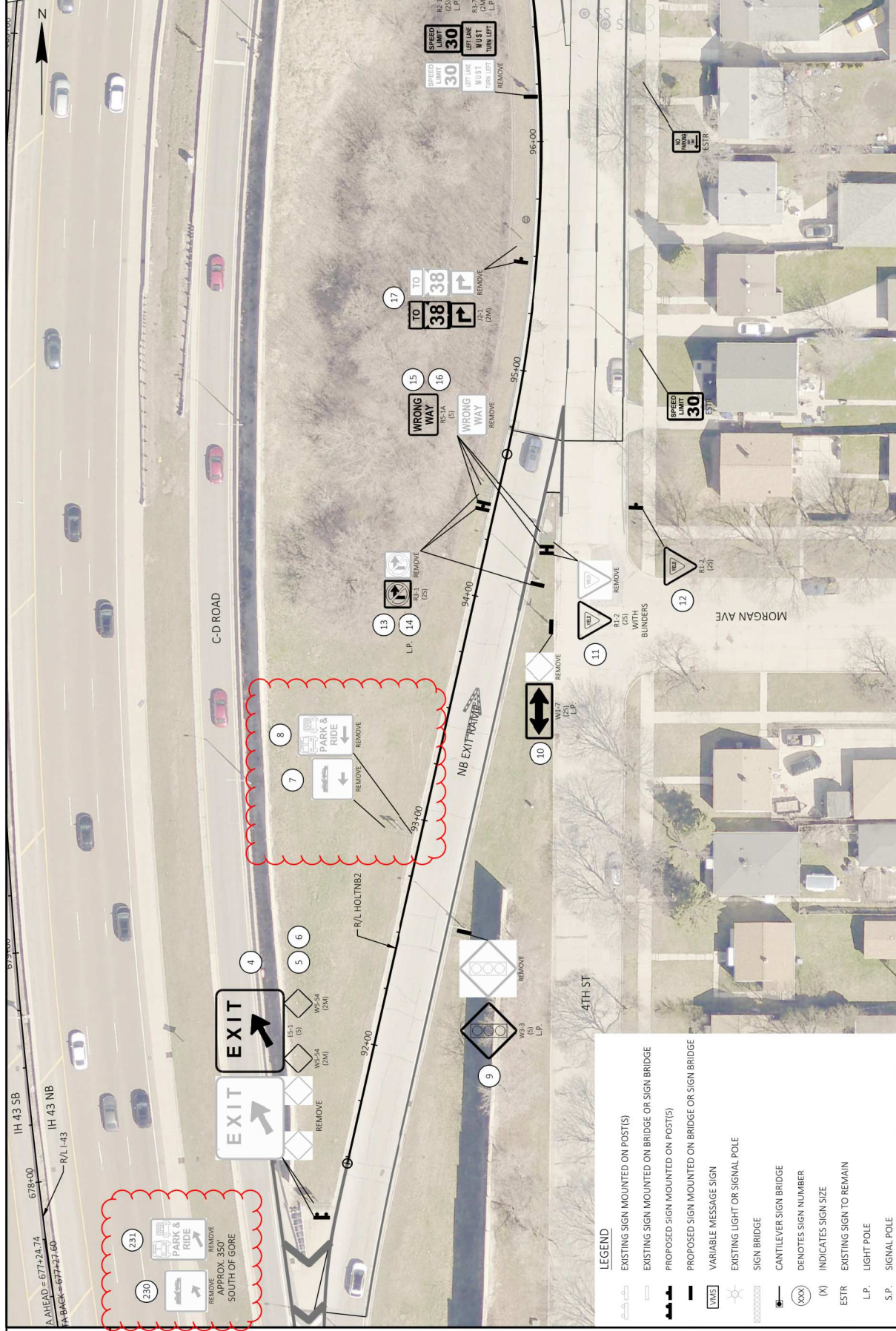
23

E

W:\PROJECTS\1228-09-76\12280906\SHEETS\PLAN\HOLT PARK AND RIDE\CONCEPTUAL DRAWING\PLAN DETAILING LAYOUT\NAME - P&R 1 IN 100.FLT

W:\PROJECTS\1228-09-76\12280906\SHEETS\PLAN\HOLT PARK AND RIDE\CONCEPTUAL DRAWING\PLAN DETAILING LAYOUT\NAME - P&R 1 IN 100.FLT

Addendum No. 01
 ID 1228-09-76
 Revised Sheet 42
 May 1, 2025



LEGEND

- EXISTING SIGN MOUNTED ON POST(S)
- EXISTING SIGN MOUNTED ON BRIDGE OR SIGN BRIDGE
- PROPOSED SIGN MOUNTED ON POST(S)
- PROPOSED SIGN MOUNTED ON BRIDGE OR SIGN BRIDGE
- VARIABLE MESSAGE SIGN
- EXISTING LIGHT OR SIGNAL POLE
- SIGN BRIDGE
- CANTILEVER SIGN BRIDGE
- DENOTES SIGN NUMBER
- (X) INDICATES SIGN SIZE
- ESTR EXISTING SIGN TO REMAIN
- L.P.
- S.P.

PROJECT NO: 1228-09-76 **HWY:** IH 43

COUNTY: MILWAUKEE **PLOT DATE:** 4/23/2025 1:28 PM

PERMANENT SIGNING **PLOT BY:** CHASE ZASTROW **PLOT NAME:**

SHEET 42 **WISDOT/CADS SHEET 42**

E

2

2

2

2

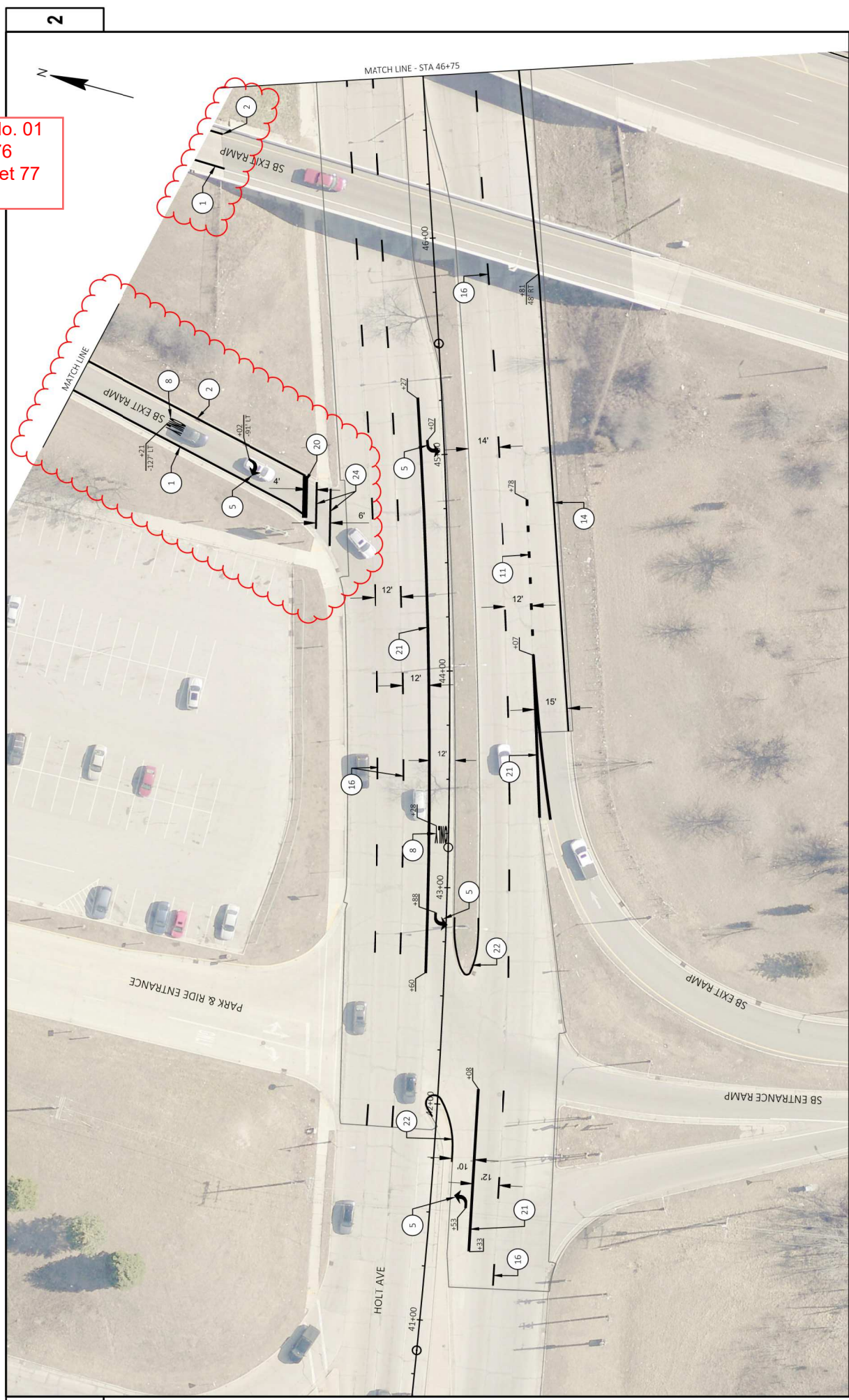
LEGEND

- 1 MARKING LINE GROOVED WET REF EPOXY 6-INCH (WHITE)
- 2 MARKING LINE GROOVED WET REF EPOXY 6-INCH (YELLOW)
- 3 MARKING LINE GROOVED PERMANENT TAPE 6-INCH (WHITE) (12.5 FT LINE 37.5 FT SKIP) & MARKING LINE GROOVED BLACK EPOXY 6-INCH (12.5 FT LINE 37.5 FT SKIP)
- 4 MARKING ARROW EPOXY (TYPE 1)
- 5 MARKING ARROW EPOXY (TYPE 2)
- 6 MARKING ARROW EPOXY (TYPE 3)
- 7 MARKING ARROW EPOXY (TYPE 4)
- 8 MARKING WORD EPOXY
- 9 MARKING CHEVRON EPOXY 24-INCH
- 10 MARKING LINE GROOVED PERMANENT TAPE 10-INCH (WHITE) (3 FT LINE 9 FT SKIP) & MARKING LINE GROOVED BLACK EPOXY 10-INCH (3 FT LINE 9 FT SKIP)
- 11 MARKING LINE EPOXY 8-INCH (WHITE) (3 FT LINE 9 FT SKIP)
- 12 MARKING LINE GROOVED WET REFLECTIVE EPOXY 10-INCH (WHITE) (2 FT LINE 6 FT SKIP) & MARKING LINE GROOVED BLACK EPOXY 10-INCH (2 FT LINE 6 FT SKIP)
- 13 MARKING LINE GROOVED WET REFLECTIVE EPOXY 10-INCH (WHITE)

- 14 MARKING LINE EPOXY 4-INCH (WHITE)
- 15 MARKING LINE EPOXY 4-INCH (YELLOW)
- 16 MARKING LINE EPOXY 4-INCH (WHITE) (10 FT LINE 30 FT SKIP)
- 17 MARKING SYMBOL EPOXY
- 18 MARKING CROSSWALK EPOXY 12-INCH (WHITE) (TRANSVERSE LINE)
- 19 MARKING CROSSWALK EPOXY 12-INCH (WHITE) (BLOCK STYLE)
- 20 MARKING STOP LINE EPOXY 18-INCH (WHITE)
- 21 MARKING LINE EPOXY 8-INCH (WHITE)
- 22 MARKING CURB EPOXY
- 23 MARKING ISLAND NOSE EPOXY
- 24 MARKING CROSSWALK EPOXY TRANSVERSE LINE 6-INCH (WHITE)
- 25 MARKING LINE GROOVED WET REF EPOXY 6-INCH (WHITE) (3 FT LINE 9 FT SKIP)
- 26 MARKING DIAGONAL EPOXY 12-INCH (WHITE)

Addendum No. 01
 ID 1228-09-76
 Revised Sheet 74
 May 1, 2025

Addendum No. 01
ID 1228-09-76
Revised Sheet 77
May 1, 2025



2

2

Addendum No. 01
ID 1228-09-76
Revised Sheet 149
May 1, 2025

REMOVING GUARDRAIL		204.0166		REMOVING GUARDRAIL	
LOCATION	STATION	FROM	TO	SIDE	LF
NATIONAL AVE NB EXIT RAMP	7+92	18+41	RT		500
TOTAL					500

PAVEMENT REMOVAL ITEMS		204.0100		204.0110		204.0120		204.0150		204.0155		204.0100	
LOCATION	REMOVING CONCRETE PAVEMENT SY	REMOVING ASPHALTIC SURFACE PARTIAL DEPTH SF	REMOVING ASPHALTIC SURFACE SY	REMOVING ASPHALTIC SURFACE MILLING SY	REMOVING CURB & GUTTER LF	REMOVING CONCRETE SIDEWALK SY	REMOVING PAVEMENT FOR BASE PATCHING CY						
HOWARD AVE NB ENTRANCE RAMP	1,650	11,853	1,317	1,317	166	42	44						
HOLT AVE NB EXIT RAMP	65	8,001	889	889	149	58	30						
HOLT AVE NB ENTRANCE RAMP	15,129	26,784	2,976	2,976	1,486	56	51						
LAPHAM BLVD NB ENTRANCE RAMP	15,714	15,129	1,681	1,681	1,486	66	66						
NATIONAL AVE NB EXIT RAMP	8	15,714	1,746	1,746	1,211	107	107						
6TH ST NB ENTRANCE RAMP	17,190	17,190	1,910	1,910	1,373	46	46						
NATIONAL AVE NB ENTRANCE RAMP	10,899	10,899	1,954	1,954	2,521	141	141						
LAPHAM BLVD SB ENTRANCE RAMP	9	12,357	1,373	1,373	9,559	42	42						
LAPHAM BLVD SB EXIT RAMP	20	22,689	2,521	2,521	22	35	35						
NATIONAL AVE SB ENTRANCE RAMP	115	115	790	790	33	79	79						
HOLT AVE	175	175	754	754	14	130	130						
LAPHAM BLVD & 5TH ST	264	264	14	14	132	132	132						
LAPHAM BLVD & 4TH ST	269	269	24	24	113	113	113						
MINERAL ST & 6TH ST	273	273	24	24	704	704	704						
MINERAL ST & 9TH ST	2,847	2,847	34,020	34,020	235	235	235						
WALKER ST & 9TH ST	206,253	206,253	24	24	704	704	704						
TOTAL	2,847	206,253	34,020	34,020	235	704	704						

EARTHWORK SUMMARY

DIVISION	FROM/TO STATION	LOCATION	COMMON EXCAVATION (1)		SALVAGED/UNUSABLE PAVEMENT MATERIAL (4)	AVAILABLE MATERIAL (5)	UNEXPANDED FILL (6)	EXPANDED FILL FACTOR 1.20	MASS ORDNATE +/- (7)	WASTE (8)	COMMENT
			CUT (2)	EBX EXCAVATION (3)							
DIVISION 1	94+73.72/98+01.00		1,416	0	400	1,016	0	0	1,016	1,016	
HOLT AVE OFF RAMP			1,416	0	400	1,016	0	0	1,016	1,016	
DIVISION 1 SUBTOTAL			1,416	0	400	1,016	0	0	1,016	1,016	
GRAND TOTAL		TOTAL COMMON EXC	1,416	60							

- NOTES:
- (1) COMMON EXCAVATION IS THE SUM OF THE CUT AND EBX EXCAVATION COLUMNS. ITEM NUMBER 205-0100
 - (2) SALVAGED/UNUSABLE PAVEMENT MATERIAL IS INCLUDED IN CUT.
 - (3) EBX EXCAVATION TO BE BACKFILLED WITH BREAKER RUN.
 - (4) SALVAGED/UNUSABLE PAVEMENT MATERIAL
 - (5) AVAILABLE MATERIAL = CUT - SALVAGED/UNUSABLE PAVEMENT MATERIAL
 - (6) EXPANDED FILL FACTOR = 1.20
 - (7) THE MASS ORDNATE + OR - QTY CALCULATED FOR THE DIVISION. PLUS QUANTITY INDICATES AN EXCESS OF MATERIAL WITHIN THE DIVISION. MINUS QUANTITY INDICATES A SHORTAGE OF MATERIAL WITHIN THE DIVISION.
 - (8) FACTORS USED TO COMPUTE ANTICIPATED WASTE AND THE COMPUTED WASTE VOLUME IDENTIFIED ARE FOR GENERAL INFORMATION ONLY.

Addendum No. 01
 ID 1228-09-76
 Revised Sheet 154
 May 1, 2025

1228-09-76 IH 43																											
SIGN NO.	SIGN CODE & SIZE	SIGN MESSAGE	SIGN SIZE W x H (IN.)	SIGN REFLECTIVE TYPE II (SF)	SIGN TYPE II REFLECTIVE H FOLDING (SF)	SIGN TYPE II REFLECTIVE F (SF)	MOVING SIGN TYPE II (EA)	REMOVING SIGN TYPE II (EA)	REMOVING SIGN SUP (EA)	MOVING SIGN SUP (EA)	SMALL SIGN SUP (EA)	638.2102	637.2230	638.2102	638.2602	638.3000	638.4000	634.0614	634.0616	634.0618	634.0620	TRAFFIC CONTROL COVERING SIGNS TYPE I (EA)	643.0910	SPV.0060.05	BLINDERS FOR TYPE II SIGN POST AS SIGN #	MOUNT ON SAME SIGN #	REMARKS / NEW SIGN LOCATION
1	R5-57(5)	--	36 X 36	9.00	--	--	--	1	--	--	--	--	--	--	--	--	--	--	--	--	--	--	--	--	--	--	LIGHT POLE
2	W4-3R(5)	--	48 X 48	9.00	--	16.00	--	1	1	1	--	--	--	--	--	--	--	--	--	1	--	--	--	--	--	--	LIGHT POLE; REMOVE EXISTING W5-54
3	J2-1(2M)	--	24 X 57	9.50	--	--	--	1	1	1	--	--	--	--	--	--	--	--	--	--	--	--	--	--	--	--	LIGHT POLE
4	M3-4(2M)	--	24 X 12	--	--	--	--	--	--	--	--	--	--	--	--	--	--	--	--	--	--	--	--	--	--	--	LIGHT POLE
5	M1-1(2M)	IH 94	24 X 24	--	--	--	--	--	--	--	--	--	--	--	--	--	--	--	--	--	--	--	--	--	--	--	LIGHT POLE
6	M4-20L(2M)	USE LEFT LANE	24 X 24	30.00	--	--	--	1	2	2	--	--	--	--	--	--	--	--	--	2	--	--	--	--	4	--	LIGHT POLE
7	E5-1(5)	--	72 X 60	--	--	2.25	--	1	1	1	--	--	--	--	--	--	--	--	--	--	--	--	--	--	4	--	LIGHT POLE
8	W5-54(2M)	--	18 X 18	--	--	2.25	--	1	1	1	--	--	--	--	--	--	--	--	--	--	--	--	--	--	4	--	LIGHT POLE
9	W5-54(2M)	--	18 X 18	--	--	2.25	--	1	1	1	--	--	--	--	--	--	--	--	--	--	--	--	--	--	4	--	LIGHT POLE
10	D4-2L	--	48 X 48	--	--	16.00	--	1	1	1	--	--	--	--	--	--	--	--	--	--	--	--	--	--	--	--	LIGHT POLE
11	W3-3(6)	--	48 X 24	--	--	8.00	--	1	1	1	--	--	--	--	--	--	--	--	--	1	--	--	--	--	--	--	LIGHT POLE
12	W1-7(2S)	--	48 X 31	3.88	--	--	--	1	1	1	--	--	--	--	--	--	--	--	--	1	--	--	--	--	--	--	LIGHT POLE
13	R1-2(2S)	--	36 X 31	3.88	--	--	--	1	1	1	--	--	--	--	--	--	--	--	--	1	--	--	--	--	--	--	LIGHT POLE
14	R3-1(2S)	--	24 X 24	4.00	--	--	--	1	1	1	--	--	--	--	--	--	--	--	--	1	--	--	--	--	--	--	LIGHT POLE
15	R3-1(2S)	--	24 X 24	4.00	--	--	--	1	1	1	--	--	--	--	--	--	--	--	--	1	--	--	--	--	--	--	LIGHT POLE
16	R5-1A(5)	--	42 X 30	8.75	--	--	--	1	1	1	--	--	--	--	--	--	--	--	--	1	--	--	--	--	--	13	LIGHT POLE
17	R5-1A(5)	--	42 X 30	8.75	--	--	--	1	1	1	--	--	--	--	--	--	--	--	--	1	--	--	--	--	--	11	LIGHT POLE
18	R5-1A(5)	--	42 X 30	8.75	--	--	--	1	1	1	--	--	--	--	--	--	--	--	--	1	--	--	--	--	--	--	LIGHT POLE
19	J2-1(2M)	--	24 X 57	9.50	--	--	--	1	1	1	--	--	--	--	--	--	--	--	--	1	--	--	--	--	--	--	LIGHT POLE
20	M4-5(2M)	--	24 X 12	--	--	19.00	--	--	--	--	--	--	--	--	--	--	--	--	--	--	--	--	--	--	--	--	LIGHT POLE
21	M1-6(2M)	STH 38	24 X 24	--	--	--	--	--	--	--	--	--	--	--	--	--	--	--	--	--	--	--	--	--	--	--	LIGHT POLE
22	M5-1R(2M)	--	21 X 21	--	--	--	--	--	--	--	--	--	--	--	--	--	--	--	--	--	--	--	--	--	--	--	LIGHT POLE
23	R2-1(2S)	SPEED LIMIT 30	24 X 30	5.00	--	--	--	1	1	1	--	--	--	--	--	--	--	--	--	--	--	--	--	--	--	--	LIGHT POLE
24	R3-7L(2M)	--	30 X 30	6.25	--	--	--	1	1	1	--	--	--	--	--	--	--	--	--	--	--	--	--	--	--	--	LIGHT POLE
25	J3-2(2M)	--	48 X 57	19.00	--	--	--	1	2	2	--	--	--	--	--	--	--	--	--	--	--	--	--	--	--	--	LIGHT POLE
26	M3-3(2M)	--	24 X 12	--	--	--	--	--	--	--	--	--	--	--	--	--	--	--	--	--	--	--	--	--	--	--	LIGHT POLE
27	M1-1(2M)	IH 43	24 X 24	--	--	24 X 24	--	--	--	--	--	--	--	--	--	--	--	--	--	--	--	--	--	--	--	--	LIGHT POLE
28	M6-2(2M)	IH 94	24 X 24	--	--	24 X 12	--	--	--	--	--	--	--	--	--	--	--	--	--	--	--	--	--	--	--	--	LIGHT POLE
29	M6-2(2M)	--	21 X 21	--	--	--	--	--	--	--	--	--	--	--	--	--	--	--	--	--	--	--	--	--	--	--	LIGHT POLE
30	R11-54F(2S)	--	48 X 30	--	10.00	--	--	1	1	1	--	--	--	--	--	--	--	--	--	--	--	--	--	--	20	--	SIGNAL POLE
31	W3-8(6)	--	48 X 48	--	16.00	--	--	1	1	1	--	--	--	--	--	--	--	--	--	--	--	--	--	--	--	--	SIGNAL POLE
32	D13-3(2S)	--	60 X 30	12.50	--	--	--	1	2	2	--	--	--	--	--	--	--	--	--	2	--	--	--	--	--	--	SIGNAL POLE
33	R11-54F(2S)	--	48 X 30	10.00	--	--	--	1	1	1	--	--	--	--	--	--	--	--	--	--	--	--	--	--	--	--	SIGNAL POLE
34	W3-8(6)	--	48 X 48	--	16.00	--	--	1	1	1	--	--	--	--	--	--	--	--	--	--	--	--	--	--	--	--	SIGNAL POLE
35	D13-3(2S)	--	60 X 30	12.50	--	--	--	1	2	2	--	--	--	--	--	--	--	--	--	2	--	--	--	--	--	--	SIGNAL POLE
36	R11-54F(2S)	--	48 X 30	10.00	--	--	--	1	1	1	--	--	--	--	--	--	--	--	--	--	--	--	--	--	--	--	SIGNAL POLE
37	W4-1R(2S)	--	36 X 36	--	9.00	--	--	1	1	1	--	--	--	--	--	--	--	--	--	1	--	--	--	--	--	--	LIGHT POLE
38	D4-55R	--	24 X 30	5.00	--	--	--	1	1	1	--	--	--	--	--	--	--	--	--	1	--	--	--	--	--	--	LIGHT POLE
39	R6-2R(2S)	--	24 X 30	5.00	--	--	--	1	1	1	--	--	--	--	--	--	--	--	--	1	--	--	--	--	--	--	LIGHT POLE
40	W4-2R(2S)	--	36 X 36	--	9.00	--	--	1	1	1	--	--	--	--	--	--	--	--	--	1	--	--	--	--	--	--	LIGHT POLE
41	R6-2L(2S)	--	24 X 30	5.00	--	--	--	1	1	1	--	--	--	--	--	--	--	--	--	1	--	--	--	--	--	--	LIGHT POLE
42	R11-54F(2S)	--	48 X 30	10.00	--	--	--	1	1	1	--	--	--	--	--	--	--	--	--	1	--	--	--	--	--	--	LIGHT POLE
43	R3-1(2S)	--	24 X 24	4.00	--	--	--	1	1	1	--	--	--	--	--	--	--	--	--	1	--	--	--	--	--	--	LIGHT POLE
44	R3-55L(2S)	--	24 X 30	5.00	--	--	--	1	1	1	--	--	--	--	--	--	--	--	--	1	--	--	--	--	--	--	LIGHT POLE
45	J2-2(2M)	--	48 X 57	19.00	--	--	--	1	1	1	--	--	--	--	--	--	--	--	--	1	--	--	--	--	--	--	LIGHT POLE

* = ADDITIONAL QUANTITIES SHOWN ELSEWHERE
 PROJECT NO: 1228-09-76
 COUNTY: MILWAUKEE
 HWY: IH 43
 FILE NAME: P:\00-MV13358-WISDOT IH 43 RAMPS\WORK\CAD\12280906\06SHEETS\03211-NG-PS.DWG
 LAYOUT NAME: 03211
 PLOT DATE: 4/27/2025 6:31 PM
 PLOT BY: CHASE ZASTROW
 PLOT SCALE: 1"=1'
 SHEET 154
 SHEET I OF 7
 WISDOT/CAD05 SHEET 42

Addendum No. 01
 ID 1228-09-76
 Revised Sheet 156
 May 1, 2025

SIGN NO.	SIGN CODE & SIZE	SIGN MESSAGE	SIGN SIZE		SIGN REFLECTIVE TYPE II	SIGN REFLECTIVE H FOLDING	SIGN TYPE II	SIGN REFLECTIVE F	MOVING SIGN TYPE II	REMOVING SIGN TYPE II	REMOVING SIGN SUP	MOVING SIGN SUP	POSTS WOOD 4' x 6' x 14'	POSTS WOOD 4' x 6' x 16'	POSTS WOOD 4' x 6' x 18'	POSTS WOOD 4' x 6' x 20'	TRAFFIC CONTROL COVERING FOR TYPE II SIGN	BLINDERS FOR TYPE II SIGN	MOUNT POST AS SIGN #	REMARKS / NEW SIGN LOCATION
			W x H	I x J																
69	J3-2(2M)	--	48 X 57	19.00	--	--	--	1	1	1	1	1	1	1	1	1	1	1	72	2' MOUNTING HEIGHT
70	M3-1(2M)	IH 43	24 X 12	--	--	--	--	--	--	--	--	--	--	--	--	--	--	--	--	LIGHT POLE
71	M1-1(2M)	--	24 X 24	--	--	--	--	--	--	--	--	--	--	--	--	--	--	--	--	SIGNAL POLE
72	M6-2(2M)	--	21 X 21	--	--	--	--	--	--	--	--	--	--	--	--	--	--	--	--	ON MAST ARM
73	M3-4(2M)	--	24 X 12	--	--	--	--	--	--	--	--	--	--	--	--	--	--	--	--	ON MAST ARM
74	M1-1(2M)	IH 94	24 X 24	--	--	--	--	--	--	--	--	--	--	--	--	--	--	--	--	LIGHT POLE
75	M6-2(2M)	--	21 X 21	--	--	--	--	--	--	--	--	--	--	--	--	--	--	--	--	SIGNAL POLE
76	W3-8(5)	--	48 X 48	16.00	--	--	--	1	1	1	1	1	1	1	1	1	1	1	80	2' MOUNTING HEIGHT
77	R3-51L(2S)	--	48 X 78	26.00	--	--	--	1	1	1	1	1	1	1	1	1	1	1	80	2' MOUNTING HEIGHT
78	R11-54F(2S)	--	48 X 30	10.00	--	--	--	1	1	1	1	1	1	1	1	1	1	1	86	2' MOUNTING HEIGHT
79	W12-1D(2S)	--	24 X 24	--	--	--	--	1	1	1	1	1	1	1	1	1	1	1	--	SIGNAL POLE
80	R10-65R(2M)	--	24 X 30	5.00	--	--	--	1	1	1	1	1	1	1	1	1	1	1	--	SIGNAL POLE
81	R10-65R(2M)	--	24 X 30	5.00	--	--	--	1	1	1	1	1	1	1	1	1	1	1	--	SIGNAL POLE
82	R10-62M)	--	24 X 36	6.00	--	--	--	1	1	1	1	1	1	1	1	1	1	1	--	SIGNAL POLE
83	R10-62M)	--	24 X 30	5.00	--	--	--	1	1	1	1	1	1	1	1	1	1	1	--	SIGNAL POLE
84	R10-65L(2M)	--	24 X 30	5.00	--	--	--	1	1	1	1	1	1	1	1	1	1	1	--	SIGNAL POLE
85	W4-1L(5)	--	48 X 48	30.00	--	--	--	1	1	1	1	1	1	1	1	1	1	1	--	SIGNAL POLE
86	E5-1(5)	--	72 X 60	3.00	--	--	--	1	1	1	1	1	1	1	1	1	1	1	--	SIGNAL POLE
87	W5-54(2M)	--	18 X 18	--	--	--	--	1	1	1	1	1	1	1	1	1	1	1	--	SIGNAL POLE
88	W5-54(2M)	--	18 X 18	--	--	--	--	1	1	1	1	1	1	1	1	1	1	1	--	SIGNAL POLE
89	W3-3(5)	--	48 X 48	--	--	--	--	1	1	1	1	1	1	1	1	1	1	1	--	SIGNAL POLE
90	R5-1A(5)	--	42 X 30	8.75	--	--	--	1	1	1	1	1	1	1	1	1	1	1	--	SIGNAL POLE
91	R5-1A(5)	--	42 X 30	8.75	--	--	--	1	1	1	1	1	1	1	1	1	1	1	--	SIGNAL POLE
92	D1-60A(MOD)	--	96 X 36	24.00	--	--	--	1	1	1	1	1	1	1	1	1	1	1	--	SIGNAL POLE
93	R3-55B(2M)	--	24 X 30	5.00	--	--	--	1	1	1	1	1	1	1	1	1	1	1	--	SIGNAL POLE
94	R5-57(5)	--	36 X 36	9.00	--	--	--	1	1	1	1	1	1	1	1	1	1	1	--	SIGNAL POLE
95	D1-1(MOD)	--	78 X 15	8.13	--	--	--	1	1	1	1	1	1	1	1	1	1	1	--	SIGNAL POLE
96	W12-1D(2S)	--	24 X 24	--	--	--	--	1	1	1	1	1	1	1	1	1	1	1	--	SIGNAL POLE
97	R1-1(3)	--	36 X 36	7.46	--	--	--	1	1	1	1	1	1	1	1	1	1	1	--	SIGNAL POLE
98	R11-54F(2S)	--	48 X 30	10.00	--	--	--	1	1	1	1	1	1	1	1	1	1	1	--	SIGNAL POLE
99	R6-2R(2S)	--	24 X 30	5.00	--	--	--	1	1	1	1	1	1	1	1	1	1	1	--	SIGNAL POLE
100	R3-2(2S)	--	24 X 24	4.00	--	--	--	1	1	1	1	1	1	1	1	1	1	1	--	SIGNAL POLE
101	R3-1(2S)	--	24 X 24	4.00	--	--	--	1	1	1	1	1	1	1	1	1	1	1	--	SIGNAL POLE
102	R10-50L	--	30 X 30	6.25	--	--	--	1	1	1	1	1	1	1	1	1	1	1	--	SIGNAL POLE
103	R4-7(2S)	--	24 X 30	5.00	--	--	--	1	1	1	1	1	1	1	1	1	1	1	--	SIGNAL POLE
104	R6-2L(2S)	--	24 X 30	5.00	--	--	--	1	1	1	1	1	1	1	1	1	1	1	--	SIGNAL POLE
105	R10-11B(2S)	--	24 X 24	4.00	--	--	--	1	1	1	1	1	1	1	1	1	1	1	--	SIGNAL POLE
106	R10-11B(2S)	--	24 X 24	4.00	--	--	--	1	1	1	1	1	1	1	1	1	1	1	--	SIGNAL POLE
107	J2-2(2M)	--	48 X 57	19.00	--	--	--	1	1	1	1	1	1	1	1	1	1	1	--	SIGNAL POLE
108	M3-1(2M)	IH 43	24 X 12	--	--	--	--	1	1	1	1	1	1	1	1	1	1	1	--	SIGNAL POLE
109	M1-1(2M)	--	24 X 24	--	--	--	--	1	1	1	1	1	1	1	1	1	1	1	--	SIGNAL POLE
110	M5-1L(2M)	--	21 X 21	--	--	--	--	1	1	1	1	1	1	1	1	1	1	1	--	SIGNAL POLE
111	M3-4(2M)	--	24 X 12	--	--	--	--	1	1	1	1	1	1	1	1	1	1	1	--	SIGNAL POLE
112	M1-1(2M)	IH 94	24 X 24	--	--	--	--	1	1	1	1	1	1	1	1	1	1	1	--	SIGNAL POLE
113	M5-1L(2M)	--	21 X 21	--	--	--	--	1	1	1	1	1	1	1	1	1	1	1	--	SIGNAL POLE
114	R11-54F(2S)	--	48 X 30	10.00	--	--	--	1	1	1	1	1	1	1	1	1	1	1	--	SIGNAL POLE
115	R9-3A(2S)	--	24 X 24	4.00	--	--	--	1	1	1	1	1	1	1	1	1	1	1	--	SIGNAL POLE

1228-09-76 IH 43

TYPE I & II PERMANENT SIGNING

PROJECT NO: 1228-09-76

COUNTY: MILWAUKEE

HWY: IH 43

NOTE: ALL ITEMS ARE CATEGORY 1000.

SHEET 156

SHEET 156

FILE NAME: P:\00-MV\3358-WISDOT IH 43 RAMPS\WORK\CAD\12280906-SHEETS\030211-MG-PS.DWG

LAYOUT NAME: 030211

PLOT DATE: 4/27/2025 6:59 PM

PLOT NAME: CHASE ZASTROW

PLOT SCALE: 1"=1'

WISDOT/CAD05 SHEET 42

3

3

* = ADDITIONAL QUANTITIES SHOWN ELSEWHERE

Addendum No. 01
 ID 1228-09-76
 Revised Sheet 157
 May 1, 2025

TYPE I & II PERMANENT SIGNING		1228-09-76 IH 43		637.2210		637.2215		637.2230		638.2102		638.2602		638.3000		638.4000		634.0614		634.0616		634.0618		634.0620		643.0910		SPV.0060.05		REMARKS/NEW SIGN LOCATION	
SIGN NO.	SIGN CODE & SIZE	SIGN MESSAGE	SIGN SIZE W x H (IN.)	SIGN REFLECTIVE TYPE II (SF)	SIGN TYPE II REFLECTIVE H FOLDING (SF)	SIGN TYPE II REFLECTIVE F (SF)	MOVING SIGN TYPE II (EA)	REM SIGN TYPE II (EA)	REM SMALL SIGN SUP (EA)	MOVING SMALL SIGN SUP (EA)	POSTS WOOD 4' x 6' x 14' (EA)	POSTS WOOD 4' x 6' x 16' (EA)	POSTS WOOD 4' x 6' x 18' (EA)	POSTS WOOD 4' x 6' x 20' (EA)	TRAFFIC CONTROL COVERING FOR TYPE II SIGN (EA)	BLINDERS FOR TYPE II SIGN (EA)	MOUNT ON SAME POST AS SIGN #														
110	R3-2(2S)		24 X 24	4.00																											
111	R6-1R(2S)		36 X 12	3.00																											
112	R5-1(2S)		30 X 30	6.25																											
113	R9-3A(2S)		24 X 24	4.00																											
114	J5-4(2M)		48 X 57	19.00																											
	M3-3(2M)		24 X 12																												
	M1-1(2M)	IH 43	24 X 24																												
	M6-1(2M)		21 X 21																												
	M3-2(2M)		24 X 12																												
	M1-1(2M)	IH 94	24 X 24																												
115	M6-1(2M)		21 X 21		10.00																										
116	J2-2(2M)		48 X 30	19.00																											
	M3-3(2M)		24 X 12																												
	M1-1(2M)	IH 43	24 X 24																												
	M5-1L(2M)		21 X 21																												
117	J3-2(2M)		48 X 57	19.00																											
	M3-1(2M)		24 X 12																												
	M1-1(2M)	IH 43	24 X 24																												
	M6-1(2M)		21 X 21																												
	M3-2(2M)		24 X 12																												
	M1-1(2M)	IH 94	24 X 24																												
	M5-1L(2M)		21 X 21																												
	M3-2(2M)		24 X 12																												
	M1-1(2M)	IH 94	24 X 24																												
	M6-1(2M)		21 X 21																												
118	R9-3A(2S)		24 X 24	4.00																											
119	R5-1(2S)		30 X 30	6.25																											
120	R5-1A(5)		42 X 30	8.75																											
121	R6-2R(2S)		24 X 30	5.00																											
122	R6-2R(2S)		24 X 30	5.00																											
123	R4-7(2S)		24 X 30	5.00																											
124	R10-50L		48 X 30		10.00																										
125	R11-54F(2S)		48 X 30																												
126	R1-1(3)		36 X 36	7.46																											
127	R6-2L(2S)		24 X 30	5.00																											
128	R6-2R(2S)		24 X 30	5.00																											
129	W12-1D(2S)		24 X 24			4.00																									
130	R3-2(2S)		24 X 24	4.00																											
131	R6-2L(2S)		24 X 30	5.00																											
132	R5-57(5)		36 X 36	9.00																											
133	W12-1D(2S)		24 X 24			4.00																									
134	R5-1A(5)		42 X 30	8.75																											
134A	R5-1A(5)		42 X 30	8.75																											
135	D1-60A(MOD)		78 X 36	19.50																											
136	W3-8(6)		48 X 48			16.00																									
137	J3-2(2M)		48 X 57	19.00																											
	M3-1(2M)		24 X 12																												
	M1-1(2M)	IH 43	24 X 24																												
	M6-2(2M)		21 X 21																												
	M3-4(2M)		24 X 12																												
	M1-1(2M)	IH 94	24 X 24																												
	M6-2(2M)		21 X 21																												
138	D1-1(MOD)		96 X 15	10.00																											
139	W4-1R(5)		48 X 48			16.00																									

NOTE: ALL ITEMS ARE CATEGORY 1000.

SHEET 157
 SHEET 4 OF 7

Addendum No. 01
 ID 1228-09-76
 Revised Sheet 159
 May 1, 2025

SIGN NO.		SIGN CODE & SIZE	SIGN MESSAGE	SIGN SIZE W x H [IN.]	637.2210 SIGNS REFLECTIVE TYPE II H [SF]	637.2215 SIGNS TYPE II REFLECTIVE FOLDING [SF]	637.2230 SIGNS TYPE II REFLECTIVE [SF]	638.2102 MOVING SIGNS TYPE II [EA]	638.2602 REM SIGNS TYPE II [EA]	638.3000 REM SMALL SIGNS SUP [EA]	638.4000 MOVING SMALL SIGNS SUP [EA]	634.0614 POSTS WOOD 4" x 6" x 14' [EA]	634.0616 POSTS WOOD 4" x 6" x 16' [EA]	634.0618 POSTS WOOD 4" x 6" x 18' [EA]	634.0620 POSTS WOOD 4" x 6" x 20' [EA]	643.0910 TRAFFIC CONTROL COVERING SIGNS TYPE I [EA]	SPV.0060.05 BLINDERS FOR TYPE II SIGN [EA]	MOUNT ON SAME POST AS SIGN #	REMARKS / NEW SIGN LOCATION
182A	M1-94S(MOD)			72 X 30	15.00														ON MAST ARM
183	M1-94H(MOD)			48 X 18	6.00														ON MAST ARM
183A	M1-94H(MOD)			48 X 18	6.00														ON MAST ARM
184	R6-1L(2S)			36 X 12	3.00														
185	R1-1(3)			36 X 36	7.46														184
186	R1-3P(3)			24 X 9	1.50														184
187	R6-1R(2S)			36 X 12	3.00														184
188	R1-1(3)			36 X 36	7.46														188
189	R5-1(3)			36 X 36	7.46														IN THE SHAPE OF AN R1-1(3)
190	D1-60A(MOD)			96 X 36	24.00														MOUNT ON EXISTING POSTS
191	J22-1(2M)			24 X 57	9.50														MOUNT ON EXISTING POST
	M4-5(2M)			24 X 12															
	M1-6(2M)		STH 59	24 X 24															
	M6-2(2M)			21 X 21															
192	D4-2R(2M)			30 X 36	7.50														
193	R1-1(3)			36 X 36	7.46														FLASHING BEACON ASSEMBLY POLE
194	R1-3P(3)			24 X 9	1.50														193
195	R4-7(2S)			24 X 30	5.00														193
196	R1-1(3)			36 X 36	7.46														FLASHING BEACON ASSEMBLY POLE
197	R1-3P(3)			24 X 9	1.50														196
198	R5-1(3)			36 X 36	7.46														196
199	R1-1(3)			36 X 36	7.46														IN THE SHAPE OF AN R1-1(3)
200	R6-2R(2S)			24 X 30	5.00														FLASHING BEACON ASSEMBLY POLE
201	R6-2L(2S)			24 X 30	5.00														FLASHING BEACON ASSEMBLY POLE
202	R1-1(3)			36 X 36	7.46														LIGHT POLE
203	R5-1A(2S)			36 X 24	6.00														202
204	R1-1(3)			36 X 36	7.46														206
205	R1-3P(3)			24 X 9	1.50														206
206	R6-1L(2S)			36 X 12	3.00														206
207	R6-1R(2S)			36 X 12	3.00														206
208	R1-1(3)			36 X 36	7.46														FLASHING BEACON ASSEMBLY POLE
209	R1-1(3)			36 X 36	7.46														FLASHING BEACON ASSEMBLY POLE
210	R1-3P(3)			24 X 9	1.50														209
211	R4-7(2S)			24 X 30	5.00														209
212	W5-52L(2S)			12 X 36		3.00													209
213	R1-1(3)			36 X 36	7.46														213
214	R1-3P(3)			24 X 9	1.50														213
215	R6-2L(2S)			24 X 30	5.00														213
216	R5-1A(5)			42 X 30	8.75														217
217	D1-60A(MOD)			84 X 36	21.00														217
218	R5-1(3)			36 X 36	9.00														FLASHING BEACON ASSEMBLY POLE
219	R1-1(3)			36 X 36	7.46														IN THE SHAPE OF AN R1-1(3)
220	R1-1(3)			36 X 36	7.46														LIGHT POLE
221	R1-3P(3)			24 X 9	1.50														LIGHT POLE
222	R5-1(3)			36 X 36	7.46														LIGHT POLE
223	R1-1(3)			36 X 36	7.46														LIGHT POLE
224	R1-3P(3)			24 X 9	1.50														LIGHT POLE
225	R3-2(2S)			24 X 24	4.00														LIGHT POLE, IN THE SHAPE OF AN R1-1(3)
226	R5-1(3)			36 X 36	7.46														LIGHT POLE
227	R1-1(3)			36 X 36	7.46														LIGHT POLE
228	R1-3P(3)			24 X 9	1.50														LIGHT POLE, IN THE SHAPE OF AN R1-1(3)
229	R5-1(3)			36 X 36	7.46														LIGHT POLE, IN THE SHAPE OF AN R1-1(3)
230	D4-55R			36 X 36	7.46														SHEET 2 OF 11
231	D4-2R			X															SHEET 2 OF 11
232	NOT USED			X															

NOTE: ALL ITEMS ARE CATEGORY 1000. SHEET 6 OF 7

PROJECT NO: 1228-09-76 HWY: IH-43 COUNTY: MILWAUKEE MISCELLANEOUS QUANTITIES

FILE NAME: P:\00-W\13358-WISDOT IH 43 RAMPS\WORK\CAD\12280906-SHEETS\03211-MLP5.DWG LAYOUT NAME: 03216 PLOT DATE: 4/27/2025 7:12 PM PLOT BY: CHASE ZASTROW PLOT NAME: 1"=1'

1228-09-76 IH 43

3

3

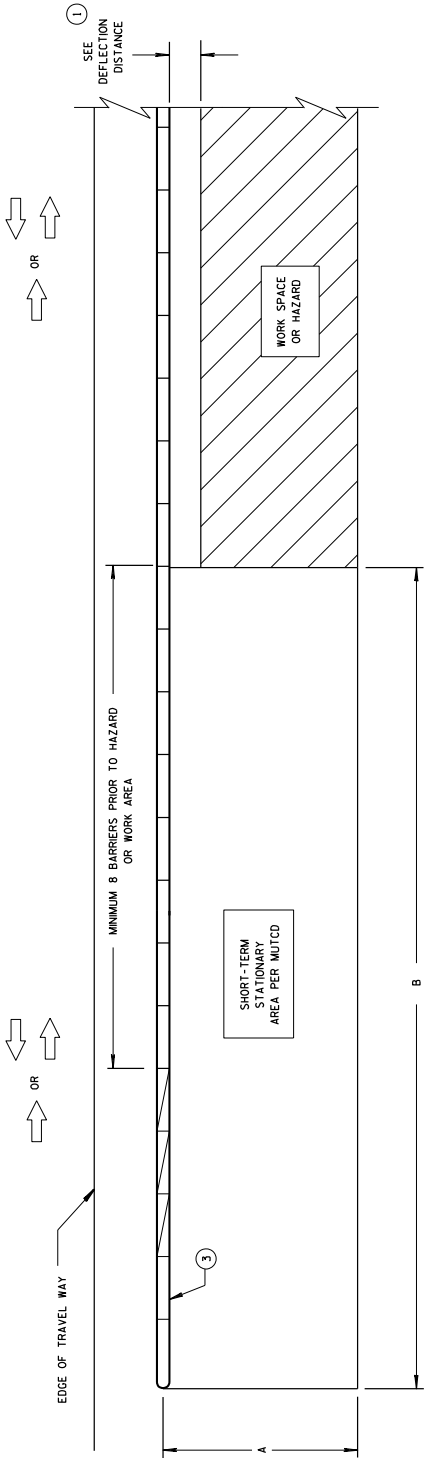
SHEET 159

WISDOT/CAD05 SHEET 42

Addendum No. 01
 ID 1228-09-76
 Added Sheet 159A
 May 1, 2025

TYPE I & II PERMANENT SIGNING		1228-09-76 IH 43																																																					
SIGN NO.	SIGN CODE & SIZE	SIGN MESSAGE	SIGN SIZE W x H (IN.) x (IN.)	SIGN TYPE II REFLECTIVE H	637.2210 SIGN TYPE II REFLECTIVE H (SF)	637.2215 SIGN TYPE II REFLECTIVE H FOLDING (SF)	637.2230 SIGN TYPE II REFLECTIVE F	638.2102 MOVING SIGN TYPE II	638.2602 REM SIGN TYPE II	638.3000 REM SIGN SUP	638.4000 MOVING SIGN SUP	634.0614 POSTS WOOD 4' x 6' x 14'	634.0616 POSTS WOOD 4' x 6' x 16'	634.0618 POSTS WOOD 4' x 6' x 18'	634.0620 POSTS WOOD 4' x 6' x 20'	643.0910 TRAFFIC CONTROL COVERING (EA)	643.0910 TRAFFIC CONTROL COVERING (EA)	SPV.0060.05 BLINDERS FOR TYPE II SIGN POST AS SIGN #	REMARKS / NEW SIGN LOCATION																																				
																				638.2102 MOVING SIGN TYPE II	638.2602 REM SIGN TYPE II	638.3000 REM SIGN SUP	638.4000 MOVING SIGN SUP	634.0614 POSTS WOOD 4' x 6' x 14'	634.0616 POSTS WOOD 4' x 6' x 16'	634.0618 POSTS WOOD 4' x 6' x 18'	634.0620 POSTS WOOD 4' x 6' x 20'	643.0910 TRAFFIC CONTROL COVERING (EA)	643.0910 TRAFFIC CONTROL COVERING (EA)	SPV.0060.05 BLINDERS FOR TYPE II SIGN POST AS SIGN #																									
233	NOT USED	--	X	--	--	--	--	--	--	--	--	--	--	--	--	--	--	--	SHEET 3 OF 11																																				
234	NOT USED	--	X	--	--	--	--	--	--	--	--	--	--	--	--	--	--	--	SHEET 3 OF 11																																				
235	R5-98	--	X	--	--	--	1	--	--	1	--	--	--	--	--	--	2	--	SHEET 3 OF 11																																				
236	G20-61(4)	--	120 X 30	--	--	--	--	--	--	--	--	--	--	--	--	--	--	--	SHEET 3 OF 11																																				
237	R3-1(GS)	--	24 X 24	4.00	--	--	--	--	--	--	--	1	--	--	--	--	--	--	SHEET 3 OF 11																																				
238	R3-2(GS)	--	24 X 24	4.00	--	--	--	--	--	--	--	1	--	--	--	--	--	--	SHEET 3 OF 11																																				
239	R5-98	--	X	--	--	--	1	--	--	1	--	--	--	--	--	--	--	--	SHEET 3A OF 11																																				
240	D4-2R	--	X	--	--	--	1	--	--	1	--	--	--	--	--	--	--	--	SHEET 3A OF 11																																				
241	R6-1R	--	X	--	--	--	1	--	--	1	--	--	--	--	--	--	--	--	SHEET 3A OF 11																																				
242	R5-1	--	X	--	--	--	1	--	--	1	--	--	--	--	--	--	--	241	SHEET 3A OF 11																																				
244		NO LOITERING NO LONG TERM OVERNIGHT PARKING EXCEPT AS DESIGNATED	X	--	--	--	--	--	1	1	--	--	--	--	--	--	--	--	SHEET 3A OF 11																																				
245	R5-1A	--	X	--	--	--	--	--	1	1	--	--	--	--	--	--	--	--	SHEET 3A OF 11																																				
246	R5-1A	--	X	--	--	--	--	--	1	1	--	--	--	--	--	--	--	--	SHEET 3A OF 11																																				
247	R3-11D	--	X	--	--	--	--	--	1	2	--	--	--	--	--	--	--	--	SHEET 3A OF 11																																				
248	R3-11D	--	X	--	--	--	--	--	1	2	--	--	--	--	--	--	--	--	SHEET 3A OF 11																																				
249	R3-11D	--	X	--	--	--	--	--	1	2	--	--	--	--	--	--	1	--	SHEET 3A OF 11																																				
250	G20-61(4)	--	120 X 30	--	--	--	--	--	--	--	--	--	--	--	--	--	--	--	SHEET 3A OF 11																																				
UNDISTRIBUTED				1417.80				409.50				7				224				116				3				16				49				21				8				3				1				-			

SDD 14B8-a End Treatments and General Note



DIMENSION A TABLE

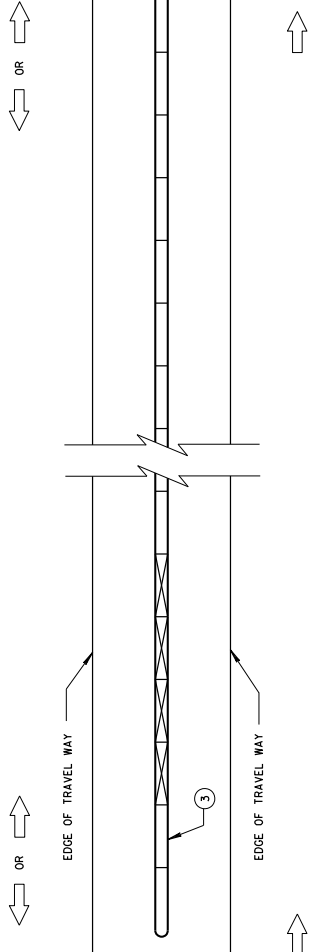
FACILITY	POSTED SPEED MPH	DIMENSION A	
		MIN. FT	MAX. FT
FREEMWAY/EXPRESSWAY	ALL	15	20
NON-FREEMWAY/EXPRESSWAY	GREATER THAN OR EQUAL TO 45	10	15
NON-FREEMWAY/EXPRESSWAY	LESS THAN 45	8	10
AADT LESS THAN 1500	ALL	8	10

DIMENSION B TABLE

POSTED SPEEDS MPH	DIMENSION B FT
20	15
25	15
30	20
35	25
40	30
45	35
50	40
55	45
60	50
65	55

Addendum No. 01
ID 1228-09-76
Added Sheet 244A
May 1, 2025

CRASH CUSHION/SAND BARREL ARRAY AND TEMPORARY BARRIER INSTALLATION FOR TRAFFIC ON ONE SIDE OF BARRIER



CRASH CUSHION/SAND BARREL ARRAY AND TEMPORARY BARRIER INSTALLATION FOR TRAFFIC ON BOTH SIDES OF BARRIER

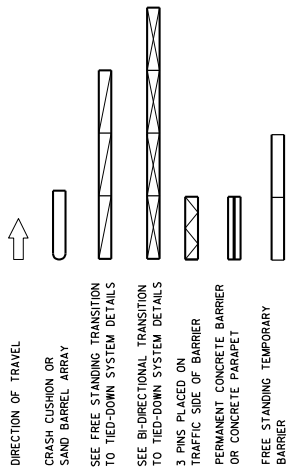
GENERAL NOTES

- SEE STANDARD DETAIL DRAWING 14B7 FOR MORE INFORMATION.
- DETAILS PROVIDE A GENERAL LAYOUT OF TEMPORARY CONCRETE BARRIER, CRASH CUSHIONS, SAND BARREL ARRAYS AND TIE DOWN TRANSITIONS. DETAILS PROVIDED MAY NOT FIT ALL POSSIBLE SITUATIONS OR SITE CONDITIONS. SEE OTHER SECTIONS OF THE CONTRACT OR PROJECT ENGINEER FOR MORE DETAILS.
- ADDITIONAL TEMPORARY BARRIER MAY BE REQUIRED TO PROTECT TRAVELING PUBLIC FROM HAZARDS. CONTRACTOR'S OPERATIONS OR TO CONTROL TRAFFIC.
- TEMPORARY BARRIER MAY BE REQUIRED TO BE ANCHORED TO PAVEMENT OR BRIDGE DECK.

- FOR DETAILS ON CRASH CUSHION OR SAND BARREL ARRAYS SEE OTHER SECTIONS OF THE PLAN AND MANUFACTURE'S DETAILS.
- SLOPES LEADING TO TEMPORARY BARRIER, CRASH CUSHION OR SAND BARREL ARRAY ARE 10:1 OR LESS.

- 1 FOR DEFLECTION INFORMATION SEE STANDARD DETAIL DRAWING 14B7.
- 2 VALUES PROVIDED MAY NOT FIT ALL POSSIBLE SITUATIONS OR SITE CONDITIONS. SEE OTHER SECTIONS OF THE CONTRACT OR PROJECT ENGINEER FOR MORE DETAILS.
- 3 ANCHOR TEMPORARY BARRIER ACCORDING TO CRASH CUSHION OR SAND BARREL MANUFACTURE'S RECOMMENDATIONS. MANUFACTURER'S RECOMMENDATIONS ARE NOT PROVIDED, ANCHOR 3 PINS ON TRAFFIC SIDE.

LEGEND



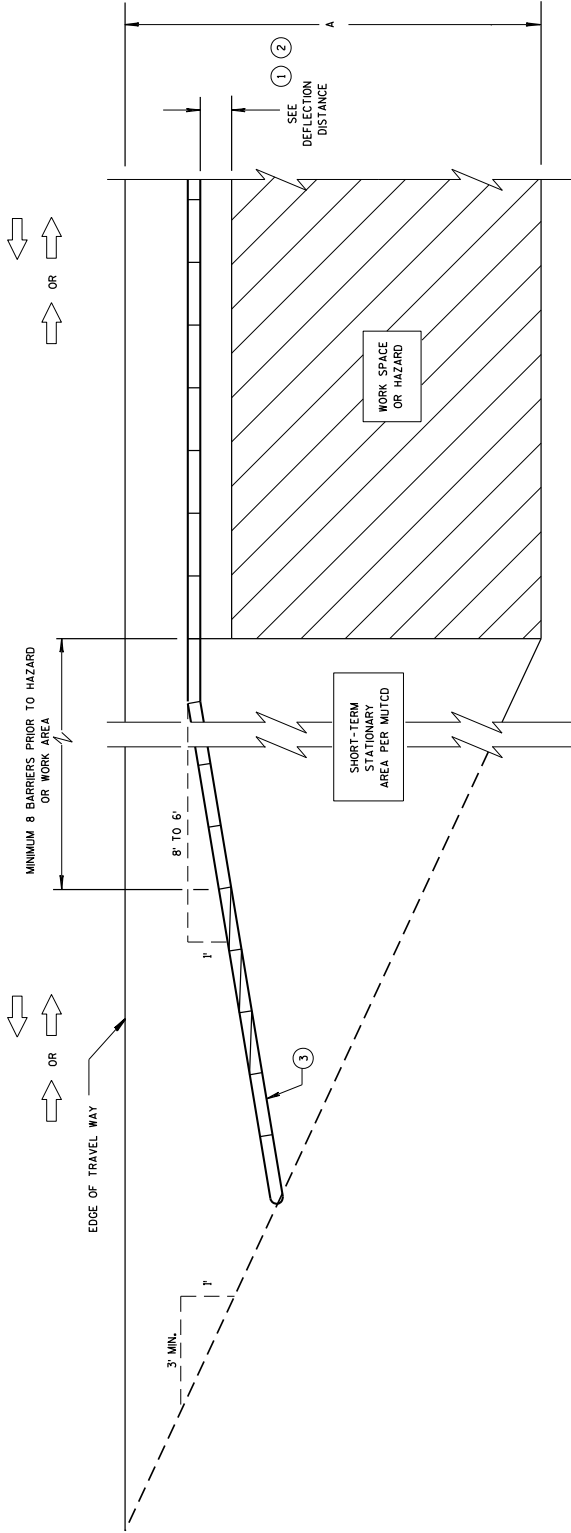
CRASH CUSHION/SAND BARREL ARRAY AND OTHER TEMPORARY BARRIER LAYOUT DETAILS

STATE OF WISCONSIN 244A
DEPARTMENT OF TRANSPORTATION

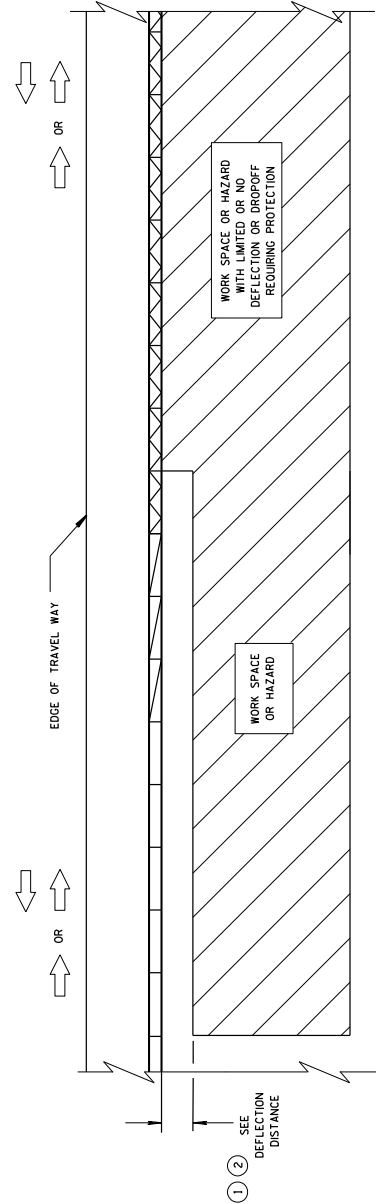


SDD 14B8-b End Treatments and Transitions from Unanchored barrier to Anchored Barrier

Addendum No. 01
ID 1228-09-76
Added Sheet 244B
May 1, 2025



CRASH CUSHION/SAND BARREL ARRAY AND TEMPORARY BARRIER INSTALLATION FOR TRAFFIC ON ONE SIDE - FLARED INSTALLATION



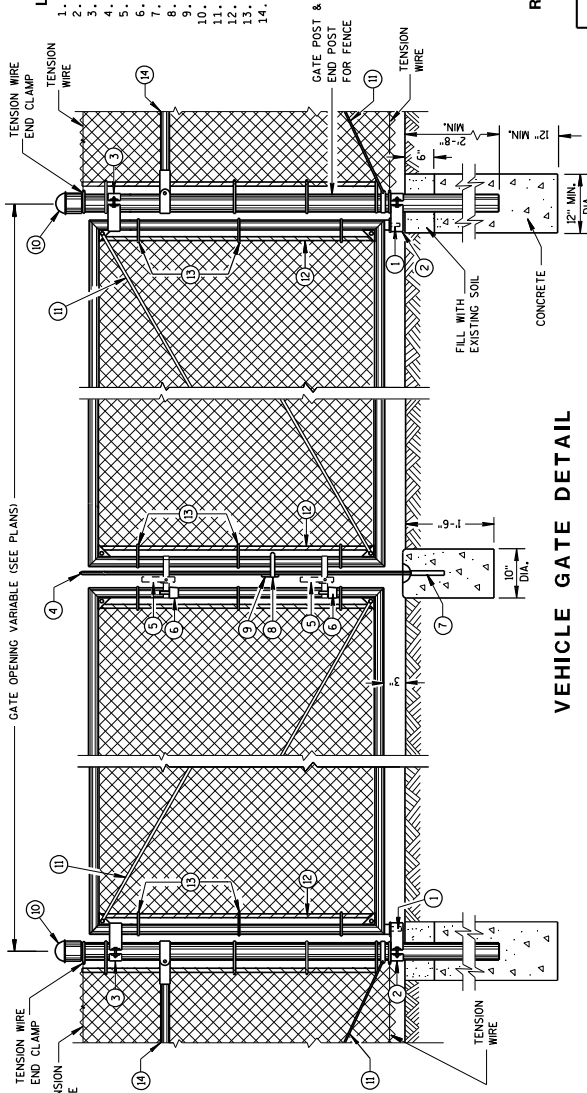
LEGEND

- DIRECTION OF TRAVEL
- CRASH CUSHION OR SAND BARREL ARRAY
- SEE FREE STANDING TRANSITION TO TIED-DOWN SYSTEM DETAILS
- SEE BI-DIRECTIONAL TRANSITION TO TIED-DOWN SYSTEM DETAILS
- 3 PINS PLACED ON TRAFFIC SIDE OF BARRIER
- PERMANENT CONCRETE BARRIER OR CONCRETE PARAPET
- FREE STANDING TEMPORARY BARRIER

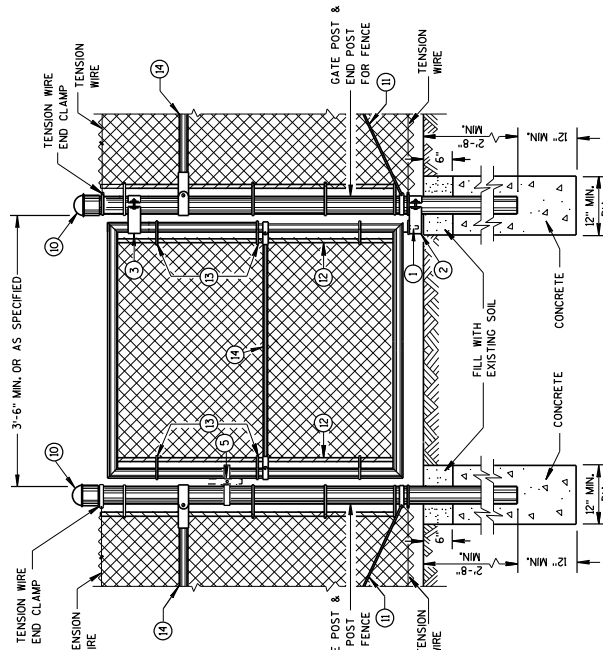
TRANSITION FROM FREE STANDING TEMPORARY BARRIER TO ANCHORED BARRIER

CRASH CUSHION/SAND BARREL ARRAY AND OTHER TEMPORARY BARRIER LAYOUT DETAILS

STATE OF WISCONSIN 244B
DEPARTMENT OF TRANSPORTATION



VEHICLE GATE DETAIL



PEDESTRIAN GATE DETAIL

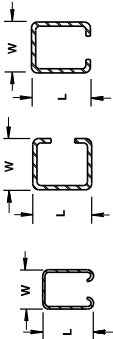
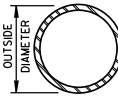
GENERAL NOTES

- FENCE POSTS INSTALLED ON CONCRETE WALLS SHALL BE ANCHORED INTO EMBEDDED METAL SLEEVES OR CORED HOLE BY FILLING THE ANNULAR SPACE WITH PEA GRAVEL FOLLOWED BY AN EPOXY RESIN ADHESIVE. THE EPOXY RESIN ADHESIVE SHALL CONFORM TO THE REQUIREMENTS OF AASHTO M 235, CLASS A, B OR C.
- USE FENCE FABRIC KNUCKLED AT BOTH SELVAGES.
- FOR LEAF GATES GREATER THAN 8 FEET WIDE, INSTALL INTERIOR VERTICAL BRACE RAIL AT 8 FOOT INTERVALS.
- FOR FABRIC HEIGHTS GREATER THAN 8 FEET, INSTALL INTERIOR HORIZONTAL BRACE RAILS TO LEAF GATE.
- MAXIMUM SAC FOR OUTER GATE MEMBER SHALL NOT EXCEED THE GREATER OF 1/4 OF THE LEAF GATE WIDTH OR 2 INCHES.
- USE TYPE 2, CLASS 3, MARCELLED/CRIMPED, TENSION WIRE PER ASTM A BIT.

LEGEND

- 1. STRAIGHT PLUG
- 2. BOTTOM HINGE
- 3. TOP HINGE
- 4. PLINGER ROD
- 5. FULCRUM LATCH
- 6. FORK CATCH *
- 7. PLINGER ROD CATCH
- 8. LOCK KEEPER GUIDE
- 9. LOCK KEEPER
- 10. DOME TOPS
- 11. TRUSS RODS
- 12. TENSION BAR
- 13. TENSION BANDS
- 14. BRACE RAIL

*NOT REQUIRED ON SINGLE SWING PEDESTRIAN GATE



CROSS SECTIONS OF POSTS AND RAILS

ROLLED-FORMED STEEL FENCE POST (2.0 OZ./SQ. FT. COATING)

POST TYPE	LENGTH (L) INCH	WIDTH (W) INCH	WEIGHT LBS./FT
FS1	1-625	1-25	1-35
FS2†	1-875	1-625	1-850
FS2	1-875	1-625	2-400
FS3	2-250	1-700	2-780

ROUND STEEL FENCE POST (1.8 OZ./SQ. FT. COATING)

POST TYPE	OUTSIDE DIMENSION INCH	WALL THICKNESS INCH	WEIGHT LBS./FT
SP1	1-660	0-140	2-270
SP2	1-900	0-145	2-720
SP3	2-375	0-154	3-650
SP4	2-875	0-203	5-800
SP5	4-000	0-226	9-120
SP6	6-625	0-280	18-990
SP7	8-625	0-322	28-580

REQUIRED POST SIZE FOR GATES

USE	LEAF WIDTHS FEET	POST TYPE
GATES	LESS THAN OR EQUAL TO 6 FT.	SP4
	LESS THAN OR EQUAL TO 13 FT.	SP5
	LESS THAN OR EQUAL TO 18 FT.	SP6
	LESS THAN OR EQUAL TO 23 FT.	SP7

REQUIRED FENCE POST SIZES

USE	FABRIC HEIGHTS FEET	POST TYPE
TERMINAL POSTS **	LESS THAN OR EQUAL TO 6 FT.	SP3
	GREATER THAN OR EQUAL TO 6 FT.	SP4
	LESS THAN OR EQUAL TO 6 FT.	SP2
LINE POSTS	LESS THAN OR EQUAL TO 6 FT.	SP3
	GREATER THAN OR EQUAL TO 6 FT.	SP4
	LESS THAN OR EQUAL TO 8 FT.	FS2 OR FS2†
	GREATER THAN OR EQUAL TO 8 FT.	FS3
	GREATER THAN OR EQUAL TO 8 FT.	FS3

BRACE RAIL TYPES

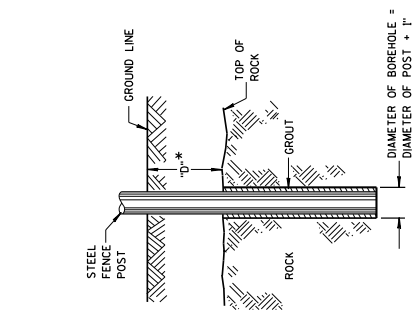
USE	TYPE
BRACE RAIL	SP1 OR FS1

** INCLUDES END, CORNER, ANGLE, INTERSECTION AND INTERMEDIATE BRACED POSTS

**Addendum No. 01
ID 1228-09-76
Added Sheet 258A
May 1, 2025**

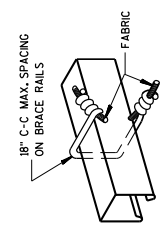
FENCE CHAIN LINK

STATE OF WISCONSIN 258A
DEPARTMENT OF TRANSPORTATION

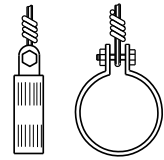


ROCK INSTALLATION OF LINE POST

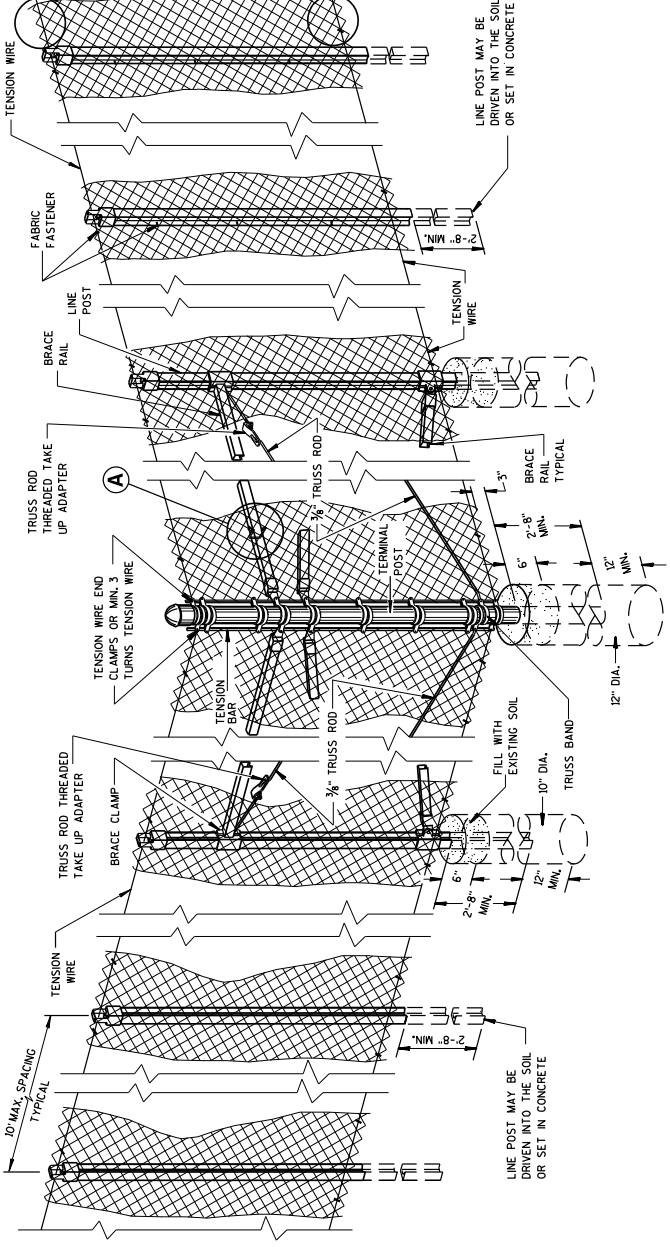
* IF "D" IS LESS THAN 2'-6"
DRILL ROCK AND INSTALL GROUT



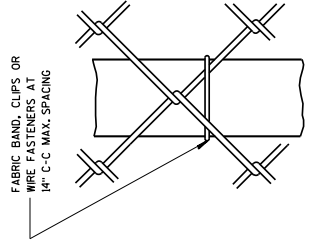
BRACE RAIL FABRIC FASTENER (A)



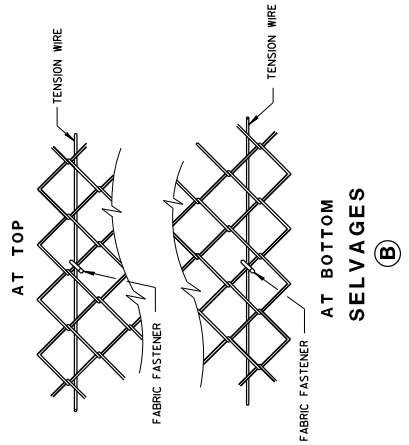
TENSION WIRE END CLAMP



END, CORNER, ANGLE INTERSECTION & INTERMEDIATE BRACED POSTS



LINE POST FABRIC FASTENER



Addendum No. 01
ID 1228-09-76
Added Sheet 258B
May 1, 2025

FENCE CHAIN LINK
STATE OF WISCONSIN DEPARTMENT OF TRANSPORTATION
APPROVED /S/ Jeffrey H. Zogg 258B DATE FEB. 2015 ROADWAY STANDARDS DEVELOPMENT ENGINEER P.H.W.A.



Proposal Schedule of Items

Proposal ID: 20250513009 Project(s): 1228-09-76, 1228-09-78

Federal ID(s): WISC 2025466, N/A

SECTION: 0001 Contract Items

Alt Set ID: Alt Mbr ID:

Proposal Line Number	Item ID Description	Approximate Quantity and Units	Unit Price	Bid Amount
0002	203.0220 Removing Structure (structure) 01. B-40-265	1.000 EACH	_____	_____
0004	204.0100 Removing Concrete Pavement	2,947.000 SY	_____	_____
0006	204.0110 Removing Asphaltic Surface	24.000 SY	_____	_____
0008	204.0120 Removing Asphaltic Surface Milling	34,020.000 SY	_____	_____
0010	204.0150 Removing Curb & Gutter	235.000 LF	_____	_____
0012	204.0155 Removing Concrete Sidewalk	704.000 SY	_____	_____
0014	204.0165 Removing Guardrail	500.000 LF	_____	_____
0016	204.0195 Removing Concrete Bases	20.000 EACH	_____	_____
0018	204.9060.S Removing (item description) 01. Removing Traffic Signals Street Lighting, Holt at 4th	1.000 EACH	_____	_____
0020	204.9060.S Removing (item description) 02. Removing Traffic Signals Street Lighting, 6th at Mineral	1.000 EACH	_____	_____
0022	204.9060.S Removing (item description) 03. Removing Loop Detector Wire and Lead- In Cable	1.000 EACH	_____	_____
0024	205.0100 Excavation Common	1,476.000 CY	_____	_____
0026	213.0100 Finishing Roadway (project) 01. 1228- 09-76	1.000 EACH	_____	_____
0028	305.0120 Base Aggregate Dense 1 1/4-Inch	2,185.000 TON	_____	_____



Proposal Schedule of Items

Proposal ID: 20250513009 Project(s): 1228-09-76, 1228-09-78

Federal ID(s): WISC 2025466, N/A

SECTION: 0001 Contract Items

Alt Set ID: Alt Mbr ID:

Proposal Line Number	Item ID Description	Approximate Quantity and Units	Unit Price	Bid Amount
0030	310.0110 Base Aggregate Open-Graded	12.000 TON	_____.	_____.
0032	312.0110 Select Crushed Material	943.000 TON	_____.	_____.
0034	320.0145 Concrete Base 8-Inch	220.000 SY	_____.	_____.
0036	390.0100 Removing Pavement for Base Patching	886.000 CY	_____.	_____.
0038	390.0405 Base Patching Concrete SHES	886.000 CY	_____.	_____.
0040	415.0090 Concrete Pavement 9-Inch	385.000 SY	_____.	_____.
0042	415.1410 Concrete Pavement Approach Slab HES	40.000 SY	_____.	_____.
0044	416.0610 Drilled Tie Bars	857.000 EACH	_____.	_____.
0046	416.0620 Drilled Dowel Bars	3,566.000 EACH	_____.	_____.
0048	416.1725 Concrete Pavement Replacement SHES	315.000 SY	_____.	_____.
0050	455.0605 Tack Coat	5,035.000 GAL	_____.	_____.
0052	460.2000 Incentive Density HMA Pavement	5,470.000 DOL	1.00000	5,470.00
0054	460.6623 HMA Pavement 3 MT 58-28 V	3,779.000 TON	_____.	_____.
0056	460.6624 HMA Pavement 4 MT 58-28 V	4,753.000 TON	_____.	_____.
0058	465.0120 Asphaltic Surface Driveways and Field Entrances	5.000 TON	_____.	_____.
0060	465.0125 Asphaltic Surface Temporary	44.000 TON	_____.	_____.



Proposal Schedule of Items

Proposal ID: 20250513009 Project(s): 1228-09-76, 1228-09-78

Federal ID(s): WISC 2025466, N/A

SECTION: 0001 Contract Items

Alt Set ID: Alt Mbr ID:

Proposal Line Number	Item ID Description	Approximate Quantity and Units	Unit Price	Bid Amount
0062	502.0100 Concrete Masonry Bridges	38.000 CY	_____.	_____.
0064	502.3200 Protective Surface Treatment	61.000 SY	_____.	_____.
0066	502.3205 Pigmented Surface Sealer Reseal	366.000 SY	_____.	_____.
0068	502.3210 Pigmented Surface Sealer	34.000 SY	_____.	_____.
0070	502.3215 Protective Surface Treatment Reseal	749.000 SY	_____.	_____.
0072	503.0136 Prestressed Girder Type I 36-Inch	69.000 LF	_____.	_____.
0074	505.0600 Bar Steel Reinforcement HS Coated Structures	7,407.000 LB	_____.	_____.
0076	505.0908 Bar Couplers No. 8	6.000 EACH	_____.	_____.
0078	506.2605 Bearing Pads Elastomeric Non-Laminated	2.000 EACH	_____.	_____.
0080	509.0301 Preparation Decks Type 1	1.000 SY	_____.	_____.
0082	509.0310.S Sawing Pavement Deck Preparation Areas	10.000 LF	_____.	_____.
0084	509.1200 Curb Repair	4.000 LF	_____.	_____.
0086	509.1500 Concrete Surface Repair	41.000 SF	_____.	_____.
0088	509.2100.S Concrete Masonry Deck Repair	1.000 CY	_____.	_____.
0090	509.5100.S Polymer Overlay	3,504.000 SY	_____.	_____.



Proposal Schedule of Items

Proposal ID: 20250513009 Project(s): 1228-09-76, 1228-09-78

Federal ID(s): WISC 2025466, N/A

SECTION: 0001 Contract Items

Alt Set ID: Alt Mbr ID:

Proposal Line Number	Item ID Description	Approximate Quantity and Units	Unit Price	Bid Amount
0092	509.9025.S Epoxy Injection Crack Repair	194.000 LF	_____.	_____.
0094	509.9026.S Cored Holes 2-Inch Diameter	1.000 EACH	_____.	_____.
0096	531.8990 Anchor Assemblies Poles on Structures	1.000 EACH	_____.	_____.
0098	601.0319 Concrete Curb & Gutter 19-Inch	15.000 LF	_____.	_____.
0100	601.0331 Concrete Curb & Gutter 31-Inch	1,269.000 LF	_____.	_____.
0102	601.0600 Concrete Curb Pedestrian	301.000 LF	_____.	_____.
0104	602.0410 Concrete Sidewalk 5-Inch	6,152.000 SF	_____.	_____.
0106	602.0505 Curb Ramp Detectable Warning Field Yellow	457.000 SF	_____.	_____.
0108	602.0605 Curb Ramp Detectable Warning Field Radial Yellow	147.000 SF	_____.	_____.
0110	602.0860 Concrete Driveway HES 6-Inch	29.000 SY	_____.	_____.
0112	603.8000 Concrete Barrier Temporary Precast Delivered	250.000 LF	_____.	_____.
0114	603.8125 Concrete Barrier Temporary Precast Installed	250.000 LF	_____.	_____.
0116	611.0410 Reconstructing Catch Basins	1.000 EACH	_____.	_____.
0118	611.0430 Reconstructing Inlets	2.000 EACH	_____.	_____.
0120	611.8110 Adjusting Manhole Covers	1.000 EACH	_____.	_____.



Proposal Schedule of Items

Proposal ID: 20250513009 Project(s): 1228-09-76, 1228-09-78

Federal ID(s): WISC 2025466, N/A

SECTION: 0001 Contract Items

Alt Set ID: Alt Mbr ID:

Proposal Line Number	Item ID Description	Approximate Quantity and Units	Unit Price	Bid Amount
0122	611.8115 Adjusting Inlet Covers	7.000 EACH	_____.	_____.
0124	612.0406 Pipe Underdrain Wrapped 6-Inch	100.000 LF	_____.	_____.
0126	614.0800 Crash Cushions Permanent	1.000 EACH	_____.	_____.
0128	614.2300 MGS Guardrail 3	450.000 LF	_____.	_____.
0130	614.2610 MGS Guardrail Terminal EAT	1.000 EACH	_____.	_____.
0132	614.2620 MGS Guardrail Terminal Type 2	1.000 EACH	_____.	_____.
0134	616.0206 Fence Chain Link 6-FT	1,090.000 LF	_____.	_____.
0136	616.0329 Gates Chain Link (width) 01. 22-FT	1.000 EACH	_____.	_____.
0138	616.0408 Fence Chain Link Salvaged 8-FT	88.000 LF	_____.	_____.
0140	618.0100 Maintenance and Repair of Haul Roads (project) 01. 1228-09-76	1.000 EACH	_____.	_____.
0142	619.1000 Mobilization	1.000 EACH	_____.	_____.
0144	620.0300 Concrete Median Sloped Nose	158.000 SF	_____.	_____.
0146	624.0100 Water	40.000 MGAL	_____.	_____.
0148	625.0100 Topsoil	570.000 SY	_____.	_____.
0150	627.0200 Mulching	150.000 SY	_____.	_____.
0152	628.1905 Mobilizations Erosion Control	4.000 EACH	_____.	_____.



Proposal Schedule of Items

Proposal ID: 20250513009 Project(s): 1228-09-76, 1228-09-78

Federal ID(s): WISC 2025466, N/A

SECTION: 0001 Contract Items

Alt Set ID: Alt Mbr ID:

Proposal Line Number	Item ID Description	Approximate Quantity and Units	Unit Price	Bid Amount
0154	628.1910 Mobilizations Emergency Erosion Control	2.000 EACH	_____.	_____.
0156	628.7020 Inlet Protection Type D	100.000 EACH	_____.	_____.
0158	628.7560 Tracking Pads	2.000 EACH	_____.	_____.
0160	629.0210 Fertilizer Type B	1.000 CWT	_____.	_____.
0162	630.0200 Seeding Temporary	4.000 LB	_____.	_____.
0164	631.0300 Sod Water	17.000 MGAL	_____.	_____.
0166	631.1000 Sod Lawn	570.000 SY	_____.	_____.
0168	634.0614 Posts Wood 4x6-Inch X 14-FT	16.000 EACH	_____.	_____.
0170	634.0616 Posts Wood 4x6-Inch X 16-FT	49.000 EACH	_____.	_____.
0172	634.0618 Posts Wood 4x6-Inch X 18-FT	21.000 EACH	_____.	_____.
0174	634.0620 Posts Wood 4x6-Inch X 20-FT	8.000 EACH	_____.	_____.
0176	637.2210 Signs Type II Reflective H	1,417.800 SF	_____.	_____.
0178	637.2215 Signs Type II Reflective H Folding	169.680 SF	_____.	_____.
0180	637.2230 Signs Type II Reflective F	409.500 SF	_____.	_____.
0182	638.2102 Moving Signs Type II	7.000 EACH	_____.	_____.
0184	638.2602 Removing Signs Type II	224.000 EACH	_____.	_____.



Proposal Schedule of Items

Proposal ID: 20250513009 Project(s): 1228-09-76, 1228-09-78

Federal ID(s): WISC 2025466, N/A

SECTION: 0001 Contract Items

Alt Set ID: Alt Mbr ID:

Proposal Line Number	Item ID Description	Approximate Quantity and Units	Unit Price	Bid Amount
0186	638.3000 Removing Small Sign Supports	116.000 EACH	_____.	_____.
0188	643.0300 Traffic Control Drums	31,273.000 DAY	_____.	_____.
0190	643.0420 Traffic Control Barricades Type III	2,642.000 DAY	_____.	_____.
0192	643.0705 Traffic Control Warning Lights Type A	5,284.000 DAY	_____.	_____.
0194	643.0715 Traffic Control Warning Lights Type C	5,335.000 DAY	_____.	_____.
0196	643.0800 Traffic Control Arrow Boards	453.000 DAY	_____.	_____.
0198	643.0900 Traffic Control Signs	18,708.000 DAY	_____.	_____.
0200	643.0910 Traffic Control Covering Signs Type I	8.000 EACH	_____.	_____.
0202	643.0920 Traffic Control Covering Signs Type II	10.000 EACH	_____.	_____.
0204	643.1000 Traffic Control Signs Fixed Message	343.000 SF	_____.	_____.
0206	643.1050 Traffic Control Signs PCMS	453.000 DAY	_____.	_____.
0208	643.1070 Traffic Control Cones 42-Inch	1,738.000 DAY	_____.	_____.
0210	643.3105 Temporary Marking Line Paint 4-Inch	1,942.000 LF	_____.	_____.
0212	643.3180 Temporary Marking Line Removable Tape 6-Inch	2,892.000 LF	_____.	_____.
0214	643.3205 Temporary Marking Line Paint 8-Inch	4,922.000 LF	_____.	_____.



Proposal Schedule of Items

Proposal ID: 20250513009 Project(s): 1228-09-76, 1228-09-78

Federal ID(s): WISC 2025466, N/A

SECTION: 0001 Contract Items

Alt Set ID: Alt Mbr ID:

Proposal Line Number	Item ID Description	Approximate Quantity and Units	Unit Price	Bid Amount
0216	643.3550 Temporary Marking Arrow Removable Tape	2.000 EACH	_____.	_____.
0218	643.3805 Temporary Marking Stop Line Paint 18-Inch	717.000 LF	_____.	_____.
0220	643.3960 Temporary Marking Removable Mask Out Tape 6-Inch	80.000 LF	_____.	_____.
0222	643.4100 Traffic Control Interim Lane Closure	8.000 EACH	_____.	_____.
0224	643.5000 Traffic Control	1.000 EACH	_____.	_____.
0226	644.1601 Temporary Pedestrian Curb Ramp	88.000 DAY	_____.	_____.
0228	644.1605 Temporary Pedestrian Detectable Warning Field	70.000 SF	_____.	_____.
0230	644.1810 Temporary Pedestrian Barricade	1,573.000 LF	_____.	_____.
0232	644.1900.S Temporary Audible Message Devices	2,384.000 DAY	_____.	_____.
0234	645.0220 Geogrid Type SR	1,436.000 SY	_____.	_____.
0236	646.1020 Marking Line Epoxy 4-Inch	2,931.000 LF	_____.	_____.
0238	646.2025 Marking Line Grooved Black Epoxy 6-Inch	213.000 LF	_____.	_____.
0240	646.2040 Marking Line Grooved Wet Ref Epoxy 6-Inch	20,522.000 LF	_____.	_____.
0242	646.2050 Marking Line Grooved Permanent Tape 6-Inch	213.000 LF	_____.	_____.



Proposal Schedule of Items

Proposal ID: 20250513009 Project(s): 1228-09-76, 1228-09-78

Federal ID(s): WISC 2025466, N/A

SECTION: 0001 Contract Items

Alt Set ID: Alt Mbr ID:

Proposal Line Number	Item ID Description	Approximate Quantity and Units	Unit Price	Bid Amount
0244	646.3020 Marking Line Epoxy 8-Inch	1,356.000 LF	_____.	_____.
0246	646.4025 Marking Line Grooved Black Epoxy 10-Inch	172.000 LF	_____.	_____.
0248	646.4040 Marking Line Grooved Wet Ref Epoxy 10-Inch	6,853.000 LF	_____.	_____.
0250	646.4050 Marking Line Grooved Permanent Tape 10-Inch	126.000 LF	_____.	_____.
0252	646.5020 Marking Arrow Epoxy	40.000 EACH	_____.	_____.
0254	646.5120 Marking Word Epoxy	6.000 EACH	_____.	_____.
0256	646.5220 Marking Symbol Epoxy	4.000 EACH	_____.	_____.
0258	646.6120 Marking Stop Line Epoxy 18-Inch	676.000 LF	_____.	_____.
0260	646.7220 Marking Chevron Epoxy 24-Inch	731.000 LF	_____.	_____.
0262	646.8120 Marking Curb Epoxy	240.000 LF	_____.	_____.
0264	646.8220 Marking Island Nose Epoxy	5.000 EACH	_____.	_____.
0266	646.9200 Marking Removal Line Wide	1,552.000 LF	_____.	_____.
0268	652.0210 Conduit Rigid Nonmetallic Schedule 40 1-Inch	4.000 LF	_____.	_____.
0270	652.0225 Conduit Rigid Nonmetallic Schedule 40 2-Inch	910.000 LF	_____.	_____.



Proposal Schedule of Items

Proposal ID: 20250513009 Project(s): 1228-09-76, 1228-09-78

Federal ID(s): WISC 2025466, N/A

SECTION: 0001 Contract Items

Alt Set ID: Alt Mbr ID:

Proposal Line Number	Item ID Description	Approximate Quantity and Units	Unit Price	Bid Amount
0272	652.0230 Conduit Rigid Nonmetallic Schedule 40 2 1/2-Inch	251.000 LF	_____	_____
0274	652.0235 Conduit Rigid Nonmetallic Schedule 40 3-Inch	630.000 LF	_____	_____
0276	652.0605 Conduit Special 2-Inch	425.000 LF	_____	_____
0278	652.0615 Conduit Special 3-Inch	1,190.000 LF	_____	_____
0280	652.0800 Conduit Loop Detector	2,250.000 LF	_____	_____
0282	653.0135 Pull Boxes Steel 24x36-Inch	8.000 EACH	_____	_____
0284	653.0140 Pull Boxes Steel 24x42-Inch	23.000 EACH	_____	_____
0286	653.0222 Junction Boxes 18x12x6-Inch	1.000 EACH	_____	_____
0288	653.0905 Removing Pull Boxes	3.000 EACH	_____	_____
0290	654.0101 Concrete Bases Type 1	16.000 EACH	_____	_____
0292	654.0102 Concrete Bases Type 2	5.000 EACH	_____	_____
0294	654.0110 Concrete Bases Type 10	4.000 EACH	_____	_____
0296	654.0120 Concrete Bases Type 10-Special	3.000 EACH	_____	_____
0298	654.0217 Concrete Control Cabinet Bases Type 9 Special	2.000 EACH	_____	_____
0300	655.0210 Cable Traffic Signal 3-14 AWG	1,390.000 LF	_____	_____



Proposal Schedule of Items

Proposal ID: 20250513009 Project(s): 1228-09-76, 1228-09-78

Federal ID(s): WISC 2025466, N/A

SECTION: 0001 Contract Items

Alt Set ID: Alt Mbr ID:

Proposal Line Number	Item ID Description	Approximate Quantity and Units	Unit Price	Bid Amount
0302	655.0230 Cable Traffic Signal 5-14 AWG	1,100.000 LF	_____.	_____.
0304	655.0240 Cable Traffic Signal 7-14 AWG	2,425.000 LF	_____.	_____.
0306	655.0260 Cable Traffic Signal 12-14 AWG	2,405.000 LF	_____.	_____.
0308	655.0305 Cable Type UF 2-12 AWG Grounded	1,075.000 LF	_____.	_____.
0310	655.0515 Electrical Wire Traffic Signals 10 AWG	3,800.000 LF	_____.	_____.
0312	655.0610 Electrical Wire Lighting 12 AWG	1,450.000 LF	_____.	_____.
0314	655.0700 Loop Detector Lead In Cable	5,200.000 LF	_____.	_____.
0316	655.0800 Loop Detector Wire	7,667.000 LF	_____.	_____.
0318	655.0900 Traffic Signal EVP Detector Cable	1,390.000 LF	_____.	_____.
0320	656.0201 Electrical Service Meter Breaker Pedestal (location) 01. Electrical Service Meter Breaker Pedestal, Holt at 4th	1.000 EACH	_____.	_____.
0322	656.0201 Electrical Service Meter Breaker Pedestal (location) 02. Electrical Service Meter Breaker Pedestal, Mineral at 6th	1.000 EACH	_____.	_____.
0324	657.0100 Pedestal Bases	16.000 EACH	_____.	_____.
0326	657.0255 Transformer Bases Breakaway 11 1/2-Inch Bolt Circle	5.000 EACH	_____.	_____.
0328	657.0310 Poles Type 3	5.000 EACH	_____.	_____.



Proposal Schedule of Items

Proposal ID: 20250513009 Project(s): 1228-09-76, 1228-09-78

Federal ID(s): WISC 2025466, N/A

SECTION: 0001 Contract Items

Alt Set ID: Alt Mbr ID:

Proposal Line Number	Item ID Description	Approximate Quantity and Units	Unit Price	Bid Amount
0330	657.0405 Traffic Signal Standards Aluminum 3.5-FT	5.000 EACH	_____.	_____.
0332	657.0420 Traffic Signal Standards Aluminum 13-FT	7.000 EACH	_____.	_____.
0334	657.0425 Traffic Signal Standards Aluminum 15-FT	3.000 EACH	_____.	_____.
0336	657.0430 Traffic Signal Standards Aluminum 10-FT	2.000 EACH	_____.	_____.
0338	657.0609 Luminaire Arms Single Member 4-Inch Clamp 6-FT	6.000 EACH	_____.	_____.
0340	658.0173 Traffic Signal Face 3S 12-Inch	25.000 EACH	_____.	_____.
0342	658.0174 Traffic Signal Face 4S 12-Inch	8.000 EACH	_____.	_____.
0344	658.0416 Pedestrian Signal Face 16-Inch	14.000 EACH	_____.	_____.
0346	658.5070 Signal Mounting Hardware (location) 01. Holt at 4th	1.000 EACH	_____.	_____.
0348	658.5070 Signal Mounting Hardware (location) 02. 6th at Mineral	1.000 EACH	_____.	_____.
0350	659.1125 Luminaires Utility LED C	10.000 EACH	_____.	_____.
0352	661.0201 Temporary Traffic Signals for Intersections (location) 01. Holt at 4th	1.000 EACH	_____.	_____.
0354	661.0201 Temporary Traffic Signals for Intersections (location) 02. 6th at Mineral	1.000 EACH	_____.	_____.
0356	670.0101 Field System Integrator	1.000 EACH	_____.	_____.



Proposal Schedule of Items

Proposal ID: 20250513009 Project(s): 1228-09-76, 1228-09-78

Federal ID(s): WISC 2025466, N/A

SECTION: 0001 Contract Items

Alt Set ID: Alt Mbr ID:

Proposal Line Number	Item ID Description	Approximate Quantity and Units	Unit Price	Bid Amount
0358	690.0150 Sawing Asphalt	1,875.000 LF	_____	_____
0360	690.0250 Sawing Concrete	10,509.000 LF	_____	_____
0362	715.0502 Incentive Strength Concrete Structures	500.000 DOL	1.00000	500.00
0364	715.0720 Incentive Compressive Strength Concrete Pavement	500.000 DOL	1.00000	500.00
0366	ASP.1T0A On-the-Job Training Apprentice at \$5.00/HR	1,200.000 HRS	5.00000	6,000.00
0368	ASP.1T0G On-the-Job Training Graduate at \$5.00/HR	4,800.000 HRS	5.00000	24,000.00
0370	SPV.0060 Special 01. Cleaning and Sealing Concrete Girder Ends	11.000 EACH	_____	_____
0372	SPV.0060 Special 02. Embedded Galvanic Anodes	14.000 EACH	_____	_____
0374	SPV.0060 Special 03. Adjusting Water Boxes	13.000 EACH	_____	_____
0376	SPV.0060 Special 05. Blinders for Type II Signs	1.000 EACH	_____	_____
0378	SPV.0060 Special 06. Install Wireless Traffic Sensor	26.000 EACH	_____	_____
0380	SPV.0060 Special 07. Remove Pole and Wire	18.000 EACH	_____	_____
0382	SPV.0060 Special 08. Remove Traffic Signal Face	35.000 EACH	_____	_____
0384	SPV.0060 Special 09. Voice Instruction Audible Pushbutton	1.000 EACH	_____	_____



Proposal Schedule of Items

Proposal ID: 20250513009 Project(s): 1228-09-76, 1228-09-78

Federal ID(s): WISC 2025466, N/A

SECTION: 0001 Contract Items

Alt Set ID: Alt Mbr ID:

Proposal Line Number	Item ID Description	Approximate Quantity and Units	Unit Price	Bid Amount
0386	SPV.0060 Special 10. Temporary Infrared EVP System, Holt at 4th	1.000 EACH	_____.	_____.
0388	SPV.0060 Special 11. Temporary Infrared EVP System, 6th at Mineral	1.000 EACH	_____.	_____.
0390	SPV.0060 Special 12. Install Type 9 Pole	1.000 EACH	_____.	_____.
0392	SPV.0060 Special 13. Install Type 10 Pole	3.000 EACH	_____.	_____.
0394	SPV.0060 Special 14. Install Type 9 Special Pole	2.000 EACH	_____.	_____.
0396	SPV.0060 Special 15. Install Type 10 Special Pole	1.000 EACH	_____.	_____.
0398	SPV.0060 Special 16. Install Monotube Arms 30-FT	4.000 EACH	_____.	_____.
0400	SPV.0060 Special 17. Install Monotube Arms 40-FT Special	1.000 EACH	_____.	_____.
0402	SPV.0060 Special 18. Install Monotube Arms 45-FT Special	2.000 EACH	_____.	_____.
0404	SPV.0060 Special 19. Install Luminaire Arms Steel 15-FT	4.000 EACH	_____.	_____.
0406	SPV.0060 Special 20. Traffic Control Close-Open Freeway Entrance Ramp	47.000 EACH	_____.	_____.
0408	SPV.0060 Special 21. Traffic Control Full Freeway Closure	8.000 EACH	_____.	_____.
0410	SPV.0060 Special 22. Traffic Control Local Road Lane Closures	99.000 EACH	_____.	_____.
0412	SPV.0060 Special 23. Field Facilities Office Space	1.000 EACH	_____.	_____.



Proposal Schedule of Items

Proposal ID: 20250513009 Project(s): 1228-09-76, 1228-09-78

Federal ID(s): WISC 2025466, N/A

SECTION: 0001 Contract Items

Alt Set ID: Alt Mbr ID:

Proposal Line Number	Item ID Description	Approximate Quantity and Units	Unit Price	Bid Amount
0414	SPV.0060 Special 24. Traffic Flashing Beacon System, IH 43 exit ramp at Mineral St (rt side ahead)	1.000 EACH	_____.	_____.
0416	SPV.0060 Special 25. Traffic Flashing Beacon System, IH 43 exit ramp at Mineral St (rt turn bypas	1.000 EACH	_____.	_____.
0418	SPV.0060 Special 26. Traffic Flashing Beacon System, IH 43 exit ramp at Mineral St (median)	1.000 EACH	_____.	_____.
0420	SPV.0060 Special 27. Traffic Flashing Beacon System, IH 43 exit ramp at Walker St (right side ahe	1.000 EACH	_____.	_____.
0422	SPV.0060 Special 28. Traffic Flashing Beacon System, IH 43 exit ramp at Walker St (rt turn bypass	1.000 EACH	_____.	_____.
0424	SPV.0060 Special 29. Traffic Flashing Beacon System, IH 43 exit ramp at Walker St (median)	1.000 EACH	_____.	_____.
0426	SPV.0060 Special 30. Adjusting Sanitary Manhole	1.000 EACH	_____.	_____.
0428	SPV.0060 Special 31. Temporary Marking Removable Mask Out Tape, Words and Arrows	3.000 EACH	_____.	_____.
0430	SPV.0060 Special 32. Transport and Install State Furnished EVP Detector Heads, Holt at 4th	3.000 EACH	_____.	_____.
0432	SPV.0060 Special 33. Transport and Install State Furnished EVP Detector Heads, 6th at Mineral	4.000 EACH	_____.	_____.



Proposal Schedule of Items

Proposal ID: 20250513009 Project(s): 1228-09-76, 1228-09-78

Federal ID(s): WISC 2025466, N/A

SECTION: 0001 Contract Items

Alt Set ID: Alt Mbr ID:

Proposal Line Number	Item ID Description	Approximate Quantity and Units	Unit Price	Bid Amount
0434	SPV.0060 Special 34. Transport and Install State Furnished Traffic Signal Cabinet, Holt at 4th	1.000 EACH	_____.	_____.
0436	SPV.0060 Special 35. Transport and Install State Furnished Traffic Signal Cabinet, 6th at Mineral	1.000 EACH	_____.	_____.
0438	SPV.0060 Special 36. Transport and Install State Furnished Radar Detection System, 6th at Mineral	1.000 EACH	_____.	_____.
0440	SPV.0060 Special 37. Transport Traffic Signal and Intersection Lighting Materials, Holt at 4th	1.000 EACH	_____.	_____.
0442	SPV.0060 Special 38. Transport Traffic Signal and Intersection Lighting Materials, 6th at Mineral	1.000 EACH	_____.	_____.
0444	SPV.0060 Special 39. Transport and Install State Furnished APS Buttons, Holt at 4th	1.000 EACH	_____.	_____.
0446	SPV.0060 Special 40. Transport and Install State Furnished APS Buttons, 6th at Mineral	1.000 EACH	_____.	_____.
0448	SPV.0060 Special 41. Survey Project 1228-09-76	1.000 EACH	_____.	_____.
0450	SPV.0075 Special 01. Pavement Cleanup Project 1228-09-76	20.000 HRS	_____.	_____.
0452	SPV.0090 Special 01. Marking Crosswalk Epoxy 12-Inch	3,371.000 LF	_____.	_____.
0454	SPV.0090 Special 02. Temporary Fence Chain Link 6-FT	280.000 LF	_____.	_____.
0456	SPV.0090 Special 03. Concrete Barrier Temporary Precast Left In Place	100.000 LF	_____.	_____.



Proposal Schedule of Items

Proposal ID: 20250513009 Project(s): 1228-09-76, 1228-09-78

Federal ID(s): WISC 2025466, N/A

SECTION: 0001 Contract Items

Alt Set ID: Alt Mbr ID:

Proposal Line Number	Item ID Description	Approximate Quantity and Units	Unit Price	Bid Amount
0458	SPV.0165 Special 01. Removing Loose Concrete	73.000 SF	_____.	_____.
0460	204.0109.S Removing Concrete Surface Partial Depth	206,253.000 SF	_____.	_____.
0462	204.0170 Removing Fence	300.000 LF	_____.	_____.
0464	638.4000 Moving Small Sign Supports	3.000 EACH	_____.	_____.
0466	646.7120 Marking Diagonal Epoxy 12-Inch	78.000 LF	_____.	_____.
0468	646.7420 Marking Crosswalk Epoxy Transverse Line 6-Inch	48.000 LF	_____.	_____.
Section: 0001			Total:	_____.
			Total Bid:	_____.