



Wisconsin Department of Transportation

February 5, 2025

Division of Transportation Systems Development

Bureau of Project Development
4822 Madison Yards Way, 4th Floor South
Madison, WI 53705

Telephone: (608) 266-1631
Facsimile (FAX): (608) 266-8459

NOTICE TO ALL CONTRACTORS:

- | | |
|---|---|
| <p>Proposal #33:</p> <p>1590-18-71
 Monico - Laona
 STH 55 South to Otter Creek Road
 USH 8
 Forest County</p> <p>1590-18-82
 Monico - Laona
 Multi-Modal Tunnel
 USH 8
 Forest County</p> <p>9813-02-70, WISC 2025334
 USH 8 Shared Pathway Phase 1
 Firekeeper Road to Love Knot Lane
 NON HWY
 Forest County</p> | <p>1590-18-81
 Monico - Laona
 Otter Creek Road to STH 32 South
 USH 8
 Forest County</p> <p>1590-18-83
 Monico - Laona
 Firekeeper Road to Bug Lake Road
 USH 8
 Forest County</p> |
|---|---|

Letting of February 11, 2025

This is Addendum No. 03, which provides for the following:

Schedule of Items:

Revised Bid Item Quantities					
Bid Item	Item Description	Unit	Proposal Total Prior to Addendum	Quantity Added	Proposal Total After Addendum
465.0105	Asphaltic Surface	TON	3,736	+188	3,924

Deleted Bid Item Quantities					
Bid Item	Item Description	Unit	Proposal Total Prior to Addendum	Proposal Quantity Change (-)	Proposal Total After Addendum
460.5223	HMA Pavement 3LT 58-28S	TON	77	-77	0
460.5244	HMA Pavement 4LT 58-34S	TON	60	-60	0

Plan Sheets:

Revised Plan Sheets	
Plan Sheet	Plan Sheet Title (brief description of changes to sheet)
4	Construction Detail – The Utility Trench Pavement Repair Detail was modified to remove HMA 4LT and HMA 3 LT pavement designations and replace with 6” Asphaltic Surface Patching.
50	Miscellaneous Quantities – Removed Item’s 460.5244 and 460.5223 and added Item 465.0105 Asphaltic Surface.

Schedule of Items

Attached, dated February 5, 2025, are the revised Schedule of Items Pages 1 - 21.

Plan Sheets

The following 11 x 17-inch sheets are attached and made part of the plans for this proposal:
 Project ID 1590-18-83:
 Revised: 4 and 50.

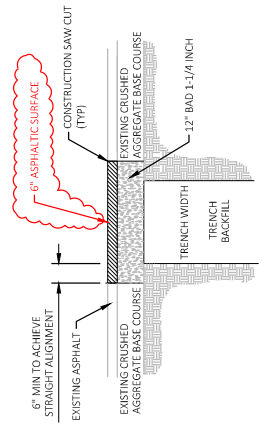
The responsibility for notifying potential subcontractors and suppliers of these changes remains with the prime contractor.

Sincerely,

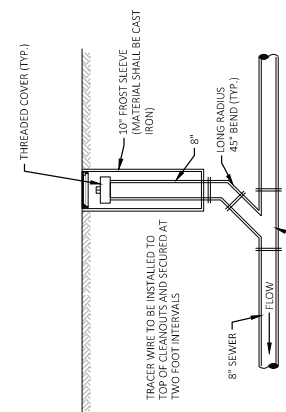
Mike Coleman

Proposal Development Specialist
 Proposal Management Section

END OF ADDENDUM

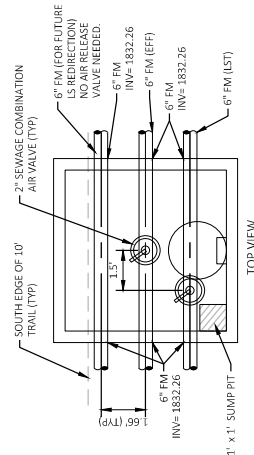


UTILITY TRENCH PAVEMENT REPAIR



SANITARY SEWER MAIN CLEANOUT DETAIL

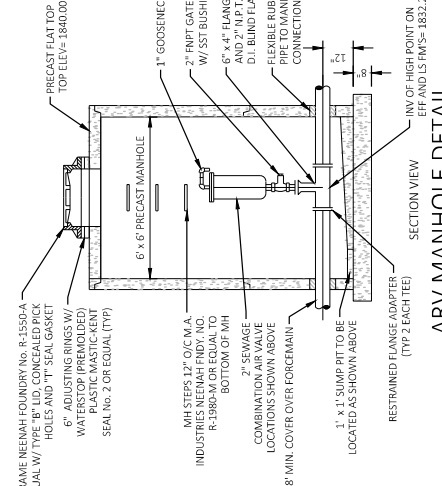
NOTE: ALL MATERIALS AND COMPONENTS TO CONSTRUCT THIS PROJECT ARE TO COMPLY WITH BUY AMERICA REQUIREMENTS



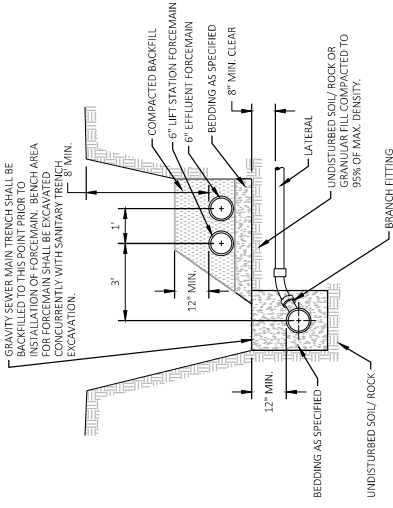
VALVE SPECIFICATIONS:

- COMBINATION AIR VALVE: 3\"/>
- GATE VALVE: 200 PSIG, ACTUATORS, WHEEL HANDLE AND CONTRIBING STEEL.

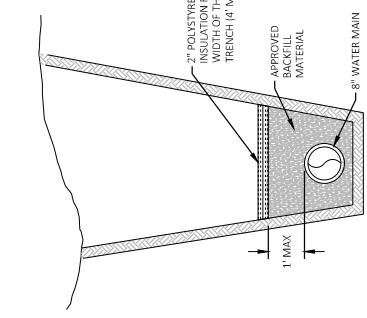
Addendum No. 03
ID 1590-18-83
Revised Sheet 4
February 5, 2025



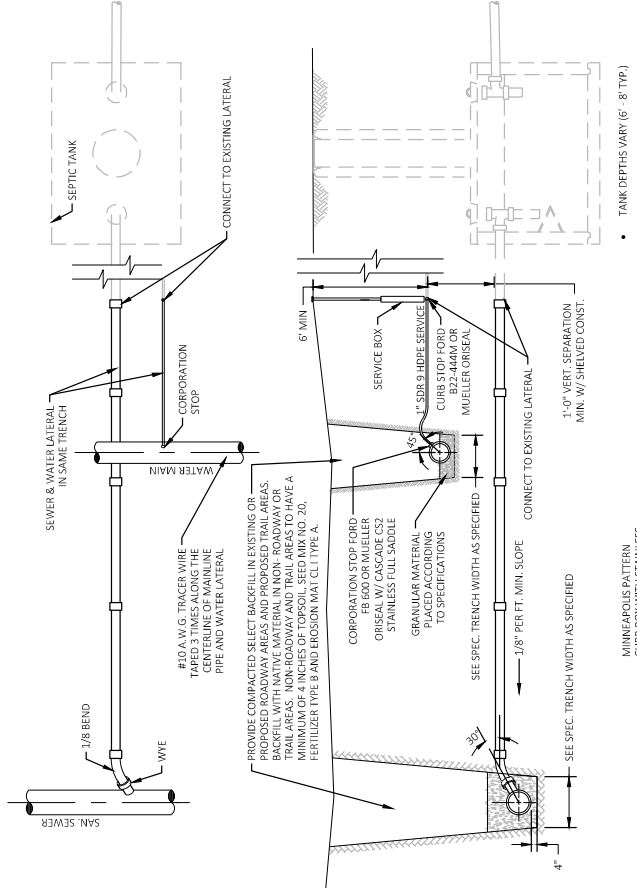
ARV MANHOLE DETAIL



TRENCH DETAIL FORCEMAIN ON BENCH



WATER MAIN INSULATION



TYPICAL SEWER & WATER CONNECTION

ALL ITEMS ON THIS PAGE TO BE UNDER CATEGORY 10

SILT FENCE		628.1504	628.1520
STATION	TO	QUANTITY	MAINTENANCE
546+33	-	240	240
580+01	-	247	247
PROJECT TOTALS		487	487

INLET PROTECTION

STATION	LOCATION	TYPED	EACH
570+92	USH 8, LT	1	1
PROJECT TOTAL		1	1

CONCRETE SURFACE DRAIN

STATION	LOCATION	CONCRETE SURFACE DRAIN	CY
552+15	USH 8	0.76	0.76
552+90	USH 8	1.19	1.19
PROJECT TOTAL		1.95	1.95

REMOVING CURB AND GUTTER

STATION	LOCATION	REMOVING CURB AND GUTTER	LF
552+15	USH 8, LT	15	15
552+90	USH 8, LT	27	27
607+83	USH 8, RT	12	12
608+39	USH 8, RT	34	34
PROJECT TOTAL		88	88

ASPHALTIC PAVEMENT		465.0105	455.0605
STATION	LOCATION	ASPHALTIC SURFACE	TACK COAT
543+20	USH 8, LT	14	2
552+50	USH 8, LT	26	5
21+84	KWEDA KIK	12	2
607+00	USH 8	9	2
608+32	USH 8	63	11
609+22	USH 8	35	6
613+49	USH 8, LT	8	1
621+22	USH 8, LT	8	1
623+58	USH 8	7	1
802+54	LOVE KNOT RD	7	1
PROJECT TOTALS		188	34

REMOVING ASPHALTIC SURFACE

STATION	LOCATION	REMOVING ASPHALTIC SURFACE	SY
543+20	USH 8, LT	41.20	41.20
552+50	USH 8, LT	77.70	77.70
21+84	KWEDA KIK	36.70	36.70
607+00	USH 8	26.00	26.00
608+32	USH 8	190.90	190.90
609+22	USH 8	106.00	106.00
613+49	USH 8, LT	24.80	24.80
621+22	USH 8, LT	23.00	23.00
623+58	USH 8	21.40	21.40
802+54	LOVE KNOT RD	21.90	21.90
PROJECT TOTAL		569.60	569.60

CONCRETE CURB AND GUTTER

STATION	LOCATION	CONCRETE CURB AND GUTTER 4-INCH SLOPED 36-INCH TYPET	LF
607+83	USH 8, RT	12	12
PROJECT TOTAL		12	12

BASE AGGREGATE DENSE

STATION	LOCATION	BASE AGGREGATE DENSE 3/4-INCH	TON	BASE AGGREGATE DENSE 1 1/4-INCH	TON	WATER	MGAL
607+00	USH 8	3.5	-	-	-	-	-
607+85	USH 8, RT	11.5	-	-	-	-	-
608+88	USH 8, RT	0.8	-	-	-	-	-
623+58	USH 8	2.2	-	-	-	-	-
543+20	USH 8, LT	-	18.2	-	-	-	0.3
552+50	USH 8, LT	-	34.2	-	-	-	0.5
21+84	KWEDA KIK	-	16.2	-	-	-	0.2
607+00	USH 8	-	11.4	-	-	-	0.2
608+32	USH 8	-	84.0	-	-	-	1.3
609+22	USH 8	-	46.6	-	-	-	0.7
613+49	USH 8, LT	-	11.0	-	-	-	0.2
621+22	USH 8, LT	-	10.2	-	-	-	0.2
623+58	USH 8	-	9.5	-	-	-	0.1
802+54	LOVE KNOT RD	-	9.6	-	-	-	0.1
PROJECT TOTAL		18.0	251.0	3.8			

UTILITY TRENCH ROCK EXCAVATION

STATION	LOCATION	UTILITY TRENCH ROCK EXCAVATION	CY
PROJECT TOTAL		500	500

UTILITY LINE OPENINGS

STATION	TO	STATION	LOCATION	EACH
PROJECT TOTAL		10	UNDISTRIBUTED	10
PROJECT TOTALS		10	PROJECT TOTALS	10

Addendum No. 03
ID 1590-18-83
Revised Sheet 50
February 5, 2025



Proposal Schedule of Items

Proposal ID: 20250211033 Project(s): 1590-18-71, 1590-18-81, 1590-18-82, 1590-18-83, 9813-02-70

Federal ID(s): N/A, N/A, WISC 2025334, N/A, N/A

SECTION: 0001 Contract Items

Alt Set ID: Alt Mbr ID:

Proposal Line Number	Item ID Description	Approximate Quantity and Units	Unit Price	Bid Amount
0002	201.0205 Grubbing	119.000 STA	_____	_____
0004	201.0215 Grubbing	0.290 ACRE	_____	_____
0006	202.0110 Roadside Clearing	30.000 SY	_____	_____
0008	203.0100 Removing Small Pipe Culverts	20.000 EACH	_____	_____
0010	203.0250 Removing Structure Over Waterway Remove Debris (structure) 001. C-21-9703	1.000 EACH	_____	_____
0012	204.0110 Removing Asphaltic Surface	812.600 SY	_____	_____
0014	204.0115 Removing Asphaltic Surface Butt Joints	905.000 SY	_____	_____
0016	204.0120 Removing Asphaltic Surface Milling	199,310.000 SY	_____	_____
0018	204.0150 Removing Curb & Gutter	1,527.000 LF	_____	_____
0020	204.0155 Removing Concrete Sidewalk	107.000 SY	_____	_____
0022	204.0165 Removing Guardrail	205.000 LF	_____	_____
0024	204.0167 Removing Cable Barrier	3,740.000 LF	_____	_____
0026	204.0170 Removing Fence	290.000 LF	_____	_____
0028	204.0245 Removing Storm Sewer (size) 001. 15-Inch	37.000 LF	_____	_____
0030	204.0270 Abandoning Culvert Pipes	1.000 EACH	_____	_____



Proposal Schedule of Items

Proposal ID: 20250211033 Project(s): 1590-18-71, 1590-18-81, 1590-18-82, 1590-18-83, 9813-02-70

Federal ID(s): N/A, N/A, WISC 2025334, N/A, N/A

SECTION: 0001 Contract Items

Alt Set ID: Alt Mbr ID:

Proposal Line Number	Item ID Description	Approximate Quantity and Units	Unit Price	Bid Amount
0032	205.0100 Excavation Common	337,540.000 CY	_____.	_____.
0034	206.2001 Excavation for Structures Culverts (structure) 001. C-21-9703	1.000 EACH	_____.	_____.
0036	206.2001 Excavation for Structures Culverts (structure) 002. B-21-35	1.000 EACH	_____.	_____.
0038	206.5001 Cofferdams (structure) 001. 21008000215	1.000 EACH	_____.	_____.
0040	208.1100 Select Borrow	1,736.000 CY	_____.	_____.
0042	210.1500 Backfill Structure Type A	5,160.000 TON	_____.	_____.
0044	210.2500 Backfill Structure Type B	1,270.000 TON	_____.	_____.
0046	211.0101 Prepare Foundation for Asphaltic Paving (project) 001. 1590-18-71	1.000 EACH	_____.	_____.
0048	211.0101 Prepare Foundation for Asphaltic Paving (project) 002. 1590-18-81	1.000 EACH	_____.	_____.
0050	211.0400 Prepare Foundation for Asphaltic Shoulders	261.000 STA	_____.	_____.
0052	213.0100 Finishing Roadway (project) 001. 1590-18-71	1.000 EACH	_____.	_____.
0054	213.0100 Finishing Roadway (project) 002. 1590-18-81	1.000 EACH	_____.	_____.
0056	305.0110 Base Aggregate Dense 3/4-Inch	19,657.000 TON	_____.	_____.
0058	305.0120 Base Aggregate Dense 1 1/4-Inch	35,863.000 TON	_____.	_____.



Proposal Schedule of Items

Proposal ID: 20250211033 Project(s): 1590-18-71, 1590-18-81, 1590-18-82, 1590-18-83, 9813-02-70

Federal ID(s): N/A, N/A, WISC 2025334, N/A, N/A

SECTION: 0001 Contract Items

Alt Set ID: Alt Mbr ID:

Proposal Line Number	Item ID Description	Approximate Quantity and Units	Unit Price	Bid Amount
0060	305.0130 Base Aggregate Dense 3-Inch	357.000 TON	_____.	_____.
0062	305.0500 Shaping Shoulders	6.000 STA	_____.	_____.
0064	311.0110 Breaker Run	140.000 TON	_____.	_____.
0066	415.0070 Concrete Pavement 7-Inch	1,938.000 SY	_____.	_____.
0068	450.4000 HMA Cold Weather Paving	22,500.000 TON	_____.	_____.
0070	455.0605 Tack Coat	15,294.000 GAL	_____.	_____.
0072	460.0105.S HMA Percent Within Limits (PWL) Test Strip Volumetrics	2.000 EACH	_____.	_____.
0074	460.0110.S HMA Percent Within Limits (PWL) Test Strip Density	3.000 EACH	_____.	_____.
0076	460.2005 Incentive Density PWL HMA Pavement	41,097.000 DOL	1.00000	41,097.00
0078	460.2007 Incentive Density HMA Pavement Longitudinal Joints	29,840.000 DOL	1.00000	29,840.00
0080	460.2010 Incentive Air Voids HMA Pavement	51,010.000 DOL	1.00000	51,010.00
0086	460.6223 HMA Pavement 3 MT 58-28 S	29,490.000 TON	_____.	_____.
0088	460.6244 HMA Pavement 4 MT 58-34 S	21,520.000 TON	_____.	_____.
0090	465.0105 Asphaltic Surface	3,924.000 TON	_____.	_____.
0092	465.0110 Asphaltic Surface Patching	525.000 TON	_____.	_____.



Proposal Schedule of Items

Proposal ID: 20250211033 Project(s): 1590-18-71, 1590-18-81, 1590-18-82, 1590-18-83, 9813-02-70

Federal ID(s): N/A, N/A, WISC 2025334, N/A, N/A

SECTION: 0001 Contract Items

Alt Set ID: Alt Mbr ID:

Proposal Line Number	Item ID Description	Approximate Quantity and Units	Unit Price	Bid Amount
0094	465.0120 Asphaltic Surface Driveways and Field Entrances	275.000 TON	_____.	_____.
0098	465.0315 Asphaltic Flumes	130.000 SY	_____.	_____.
0100	465.0520 Asphaltic Rumble Strips, Shoulder	23,992.000 LF	_____.	_____.
0102	465.0560 Asphaltic Rumble Strips, Centerline	46,685.000 LF	_____.	_____.
0104	502.3210 Pigmented Surface Sealer	121.000 SY	_____.	_____.
0106	502.4205 Adhesive Anchors No. 5 Bar	52.000 EACH	_____.	_____.
0108	504.0100 Concrete Masonry Culverts	944.000 CY	_____.	_____.
0110	505.0400 Bar Steel Reinforcement HS Structures	91,920.000 LB	_____.	_____.
0112	505.0600 Bar Steel Reinforcement HS Coated Structures	19,030.000 LB	_____.	_____.
0114	511.1200 Temporary Shoring (structure) 001. C-21-9703	555.000 SF	_____.	_____.
0116	516.0500 Rubberized Membrane Waterproofing	72.000 SY	_____.	_____.
0118	516.0610.S Sheet Membrane Waterproofing for Buried Structures	646.000 SY	_____.	_____.
0120	517.1010.S Concrete Staining (structure) 001. B-21-35	2,997.000 SF	_____.	_____.
0122	517.1015.S Concrete Staining Multi-Color (structure) 001. B-21-35	3,926.000 SF	_____.	_____.



Proposal Schedule of Items

Proposal ID: 20250211033 Project(s): 1590-18-71, 1590-18-81, 1590-18-82, 1590-18-83, 9813-02-70

Federal ID(s): N/A, N/A, WISC 2025334, N/A, N/A

SECTION: 0001 Contract Items

Alt Set ID: Alt Mbr ID:

Proposal Line Number	Item ID Description	Approximate Quantity and Units	Unit Price	Bid Amount
0124	517.1050.S Architectural Surface Treatment (structure) 001. B-21-35	3,804.000 SF	_____.	_____.
0126	520.1024 Apron Endwalls for Culvert Pipe 24-Inch	17.000 EACH	_____.	_____.
0128	520.1030 Apron Endwalls for Culvert Pipe 30-Inch	8.000 EACH	_____.	_____.
0130	520.1036 Apron Endwalls for Culvert Pipe 36-Inch	3.000 EACH	_____.	_____.
0132	520.3324 Culvert Pipe Class III-A 24-Inch	560.000 LF	_____.	_____.
0134	520.3330 Culvert Pipe Class III-A 30-Inch	286.000 LF	_____.	_____.
0136	520.3336 Culvert Pipe Class III-A 36-Inch	106.000 LF	_____.	_____.
0138	520.8000 Concrete Collars for Pipe	6.000 EACH	_____.	_____.
0140	521.1048 Apron Endwalls for Culvert Pipe Steel 48-Inch	2.000 EACH	_____.	_____.
0142	521.3148 Culvert Pipe Corrugated Steel 48-Inch	93.000 LF	_____.	_____.
0144	522.0124 Culvert Pipe Reinforced Concrete Class III 24-Inch	36.000 LF	_____.	_____.
0146	522.0136 Culvert Pipe Reinforced Concrete Class III 36-Inch	8.000 LF	_____.	_____.
0148	522.0418 Culvert Pipe Reinforced Concrete Class IV 18-Inch	156.000 LF	_____.	_____.
0150	522.0424 Culvert Pipe Reinforced Concrete Class IV 24-Inch	68.000 LF	_____.	_____.



Proposal Schedule of Items

Proposal ID: 20250211033 Project(s): 1590-18-71, 1590-18-81, 1590-18-82, 1590-18-83, 9813-02-70

Federal ID(s): N/A, N/A, WISC 2025334, N/A, N/A

SECTION: 0001 Contract Items

Alt Set ID: Alt Mbr ID:

Proposal Line Number	Item ID Description	Approximate Quantity and Units	Unit Price	Bid Amount
0152	522.0436 Culvert Pipe Reinforced Concrete Class IV 36-Inch	15.000 LF	_____.	_____.
0154	522.1012 Apron Endwalls for Culvert Pipe Reinforced Concrete 12-Inch	11.000 EACH	_____.	_____.
0156	522.1018 Apron Endwalls for Culvert Pipe Reinforced Concrete 18-Inch	10.000 EACH	_____.	_____.
0158	522.1024 Apron Endwalls for Culvert Pipe Reinforced Concrete 24-Inch	10.000 EACH	_____.	_____.
0160	522.1036 Apron Endwalls for Culvert Pipe Reinforced Concrete 36-Inch	4.000 EACH	_____.	_____.
0162	522.2314 Culvert Pipe Reinforced Concrete Horizontal Elliptical Class HE-III 14x23-Inch	64.000 LF	_____.	_____.
0164	522.2414 Culvert Pipe Reinforced Concrete Horizontal Elliptical Class HE-IV 14x23-Inch	16.000 LF	_____.	_____.
0166	522.2614 Apron Endwalls for Culvert Pipe Reinforced Concrete Horizontal Elliptical 14x23-Inch	4.000 EACH	_____.	_____.
0168	522.2629 Apron Endwalls for Culvert Pipe Reinforced Concrete Horizontal Elliptical 29x45-Inch	1.000 EACH	_____.	_____.
0170	601.0411 Concrete Curb & Gutter 30-Inch Type D	443.000 LF	_____.	_____.
0172	601.0553 Concrete Curb & Gutter 4-Inch Sloped 36-Inch Type D	20.000 LF	_____.	_____.
0174	601.0557 Concrete Curb & Gutter 6-Inch Sloped 36-Inch Type D	2,060.000 LF	_____.	_____.



Proposal Schedule of Items

Proposal ID: 20250211033 Project(s): 1590-18-71, 1590-18-81, 1590-18-82, 1590-18-83, 9813-02-70

Federal ID(s): N/A, N/A, WISC 2025334, N/A, N/A

SECTION: 0001 Contract Items

Alt Set ID: Alt Mbr ID:

Proposal Line Number	Item ID Description	Approximate Quantity and Units	Unit Price	Bid Amount
0176	601.0582 Concrete Curb & Gutter 4-Inch Sloped 36-Inch Type T	12.000 LF	_____	_____
0178	601.0600 Concrete Curb Pedestrian	43.000 LF	_____	_____
0180	602.0410 Concrete Sidewalk 5-Inch	5,207.000 SF	_____	_____
0182	602.0505 Curb Ramp Detectable Warning Field Yellow	10.000 SF	_____	_____
0184	602.0515 Curb Ramp Detectable Warning Field Natural Patina	260.000 SF	_____	_____
0186	602.0605 Curb Ramp Detectable Warning Field Radial Yellow	105.000 SF	_____	_____
0188	602.0615 Curb Ramp Detectable Warning Field Radial Natural Patina	145.000 SF	_____	_____
0190	602.3010 Concrete Surface Drains	1.950 CY	_____	_____
0192	606.0200 Riprap Medium	390.000 CY	_____	_____
0194	606.0300 Riprap Heavy	45.000 CY	_____	_____
0196	606.0400 Riprap Extra-Heavy	50.000 CY	_____	_____
0198	608.0315 Storm Sewer Pipe Reinforced Concrete Class III 15-Inch	80.000 LF	_____	_____
0200	608.0324 Storm Sewer Pipe Reinforced Concrete Class III 24-Inch	583.000 LF	_____	_____
0202	608.0330 Storm Sewer Pipe Reinforced Concrete Class III 30-Inch	61.000 LF	_____	_____



Proposal Schedule of Items

Proposal ID: 20250211033 Project(s): 1590-18-71, 1590-18-81, 1590-18-82, 1590-18-83, 9813-02-70

Federal ID(s): N/A, N/A, WISC 2025334, N/A, N/A

SECTION: 0001 Contract Items

Alt Set ID: Alt Mbr ID:

Proposal Line Number	Item ID Description	Approximate Quantity and Units	Unit Price	Bid Amount
0204	608.0412 Storm Sewer Pipe Reinforced Concrete Class IV 12-Inch	345.000 LF	_____.	_____.
0206	608.0415 Storm Sewer Pipe Reinforced Concrete Class IV 15-Inch	60.000 LF	_____.	_____.
0208	608.0418 Storm Sewer Pipe Reinforced Concrete Class IV 18-Inch	103.000 LF	_____.	_____.
0210	608.0424 Storm Sewer Pipe Reinforced Concrete Class IV 24-Inch	451.000 LF	_____.	_____.
0212	608.2329 Storm Sewer Pipe Reinforced Concrete Horizontal Elliptical Class HE-III 29x45-Inch	38.000 LF	_____.	_____.
0214	608.3018 Storm Sewer Pipe Class III-A 18-Inch	571.000 LF	_____.	_____.
0216	611.0530 Manhole Covers Type J	4.000 EACH	_____.	_____.
0218	611.0612 Inlet Covers Type C	8.000 EACH	_____.	_____.
0220	611.0627 Inlet Covers Type HM	7.000 EACH	_____.	_____.
0222	611.0642 Inlet Covers Type MS	26.000 EACH	_____.	_____.
0224	611.2004 Manholes 4-FT Diameter	6.000 EACH	_____.	_____.
0226	611.2005 Manholes 5-FT Diameter	4.000 EACH	_____.	_____.
0228	611.2008 Manholes 8-FT Diameter	2.000 EACH	_____.	_____.
0230	611.3004 Inlets 4-FT Diameter	1.000 EACH	_____.	_____.



Proposal Schedule of Items

Proposal ID: 20250211033 Project(s): 1590-18-71, 1590-18-81, 1590-18-82, 1590-18-83, 9813-02-70

Federal ID(s): N/A, N/A, WISC 2025334, N/A, N/A

SECTION: 0001 Contract Items

Alt Set ID: Alt Mbr ID:

Proposal Line Number	Item ID Description	Approximate Quantity and Units	Unit Price	Bid Amount
0232	611.3230 Inlets 2x3-FT	6.000 EACH	_____	_____
0234	611.3901 Inlets Median 1 Grate	18.000 EACH	_____	_____
0236	611.3902 Inlets Median 2 Grate	4.000 EACH	_____	_____
0238	612.0406 Pipe Underdrain Wrapped 6-Inch	207.000 LF	_____	_____
0240	612.0902.S Insulation Board Polystyrene (inch) 001. 2 -Inch	676.000 SY	_____	_____
0242	618.0100 Maintenance and Repair of Haul Roads (project) 001. 1590-18-71	1.000 EACH	_____	_____
0244	618.0100 Maintenance and Repair of Haul Roads (project) 002. 1590-18-81	1.000 EACH	_____	_____
0246	619.1000 Mobilization	1.000 EACH	_____	_____
0248	624.0100 Water	1,419.800 MGAL	_____	_____
0250	625.0100 Topsoil	151,879.000 SY	_____	_____
0252	627.0200 Mulching	4,758.000 SY	_____	_____
0254	628.1504 Silt Fence	14,110.000 LF	_____	_____
0256	628.1520 Silt Fence Maintenance	16,327.000 LF	_____	_____
0258	628.1905 Mobilizations Erosion Control	23.000 EACH	_____	_____
0260	628.1910 Mobilizations Emergency Erosion Control	10.000 EACH	_____	_____



Proposal Schedule of Items

Proposal ID: 20250211033 Project(s): 1590-18-71, 1590-18-81, 1590-18-82, 1590-18-83, 9813-02-70

Federal ID(s): N/A, N/A, WISC 2025334, N/A, N/A

SECTION: 0001 Contract Items

Alt Set ID: Alt Mbr ID:

Proposal Line Number	Item ID Description	Approximate Quantity and Units	Unit Price	Bid Amount
0262	628.2006 Erosion Mat Urban Class I Type A	6,252.000 SY	_____.	_____.
0264	628.2023 Erosion Mat Class II Type B	140,720.000 SY	_____.	_____.
0266	628.6510 Soil Stabilizer Type B	3.390 ACRE	_____.	_____.
0268	628.7005 Inlet Protection Type A	24.000 EACH	_____.	_____.
0270	628.7015 Inlet Protection Type C	19.000 EACH	_____.	_____.
0272	628.7020 Inlet Protection Type D	1.000 EACH	_____.	_____.
0274	628.7504 Temporary Ditch Checks	1,891.000 LF	_____.	_____.
0276	628.7515.S Stone Ditch Checks	161.000 CY	_____.	_____.
0278	628.7555 Culvert Pipe Checks	155.000 EACH	_____.	_____.
0280	628.7560 Tracking Pads	8.000 EACH	_____.	_____.
0282	628.7570 Rock Bags	631.000 EACH	_____.	_____.
0284	629.0205 Fertilizer Type A	14.020 CWT	_____.	_____.
0286	629.0210 Fertilizer Type B	91.000 CWT	_____.	_____.
0288	630.0120 Seeding Mixture No. 20	7,644.000 LB	_____.	_____.
0290	630.0500 Seed Water	3,028.000 MGAL	_____.	_____.
0292	633.5200 Markers Culvert End	55.000 EACH	_____.	_____.



Proposal Schedule of Items

Proposal ID: 20250211033 Project(s): 1590-18-71, 1590-18-81, 1590-18-82, 1590-18-83, 9813-02-70

Federal ID(s): N/A, N/A, WISC 2025334, N/A, N/A

SECTION: 0001 Contract Items

Alt Set ID: Alt Mbr ID:

Proposal Line Number	Item ID Description	Approximate Quantity and Units	Unit Price	Bid Amount
0294	634.0612 Posts Wood 4x6-Inch X 12-FT	2.000 EACH	_____.	_____.
0296	634.0616 Posts Wood 4x6-Inch X 16-FT	63.000 EACH	_____.	_____.
0298	637.2210 Signs Type II Reflective H	174.560 SF	_____.	_____.
0300	637.2230 Signs Type II Reflective F	236.500 SF	_____.	_____.
0302	638.2102 Moving Signs Type II	40.000 EACH	_____.	_____.
0304	638.2602 Removing Signs Type II	10.000 EACH	_____.	_____.
0306	638.3000 Removing Small Sign Supports	41.000 EACH	_____.	_____.
0308	638.4000 Moving Small Sign Supports	5.000 EACH	_____.	_____.
0310	642.5001 Field Office Type B	1.000 EACH	_____.	_____.
0312	643.0300 Traffic Control Drums	16,510.000 DAY	_____.	_____.
0314	643.0420 Traffic Control Barricades Type III	27,305.000 DAY	_____.	_____.
0316	643.0705 Traffic Control Warning Lights Type A	47,918.000 DAY	_____.	_____.
0318	643.0715 Traffic Control Warning Lights Type C	5,865.000 DAY	_____.	_____.
0320	643.0800 Traffic Control Arrow Boards	180.000 DAY	_____.	_____.
0322	643.0900 Traffic Control Signs	101,034.000 DAY	_____.	_____.
0326	643.1000 Traffic Control Signs Fixed Message	89.500 SF	_____.	_____.



Proposal Schedule of Items

Proposal ID: 20250211033 Project(s): 1590-18-71, 1590-18-81, 1590-18-82, 1590-18-83, 9813-02-70

Federal ID(s): N/A, N/A, WISC 2025334, N/A, N/A

SECTION: 0001 Contract Items

Alt Set ID: Alt Mbr ID:

Proposal Line Number	Item ID Description	Approximate Quantity and Units	Unit Price	Bid Amount
0328	643.3165 Temporary Marking Line Paint 6-Inch	84,407.000 LF	_____.	_____.
0330	643.3180 Temporary Marking Line Removable Tape 6-Inch	3,895.000 LF	_____.	_____.
0332	643.3350 Temporary Marking Crosswalk Removable Tape 6-inch	1,094.000 LF	_____.	_____.
0334	643.5000 Traffic Control	1.000 EACH	_____.	_____.
0336	644.1430 Temporary Pedestrian Surface Plate	238.000 SF	_____.	_____.
0338	644.1601 Temporary Pedestrian Curb Ramp	120.000 DAY	_____.	_____.
0340	644.1605 Temporary Pedestrian Detectable Warning Field	56.000 SF	_____.	_____.
0342	644.1810 Temporary Pedestrian Barricade	452.000 LF	_____.	_____.
0344	645.0105 Geotextile Type C	275.000 SY	_____.	_____.
0346	645.0120 Geotextile Type HR	951.000 SY	_____.	_____.
0348	645.0130 Geotextile Type R	2,647.000 SY	_____.	_____.
0350	645.0135 Geotextile Type SR	528.000 SY	_____.	_____.
0352	645.0220 Geogrid Type SR	7,926.000 SY	_____.	_____.
0354	646.2040 Marking Line Grooved Wet Ref Epoxy 6-Inch	217,685.000 LF	_____.	_____.



Proposal Schedule of Items

Proposal ID: 20250211033 Project(s): 1590-18-71, 1590-18-81, 1590-18-82, 1590-18-83, 9813-02-70

Federal ID(s): N/A, N/A, WISC 2025334, N/A, N/A

SECTION: 0001 Contract Items

Alt Set ID: Alt Mbr ID:

Proposal Line Number	Item ID Description	Approximate Quantity and Units	Unit Price	Bid Amount
0356	646.4040 Marking Line Grooved Wet Ref Epoxy 10-Inch	670.000 LF	_____.	_____.
0358	646.5020 Marking Arrow Epoxy	12.000 EACH	_____.	_____.
0360	646.6120 Marking Stop Line Epoxy 18-Inch	65.000 LF	_____.	_____.
0362	646.6466 Cold Weather Marking Epoxy 6-Inch	45,000.000 LF	_____.	_____.
0364	646.6470 Cold Weather Marking Epoxy 10-Inch	400.000 LF	_____.	_____.
0366	646.7120 Marking Diagonal Epoxy 12-Inch	2,550.000 LF	_____.	_____.
0368	646.7420 Marking Crosswalk Epoxy Transverse Line 6-Inch	596.000 LF	_____.	_____.
0370	646.7520 Marking Crosswalk Epoxy Block Style 24-Inch	90.000 LF	_____.	_____.
0372	646.9000 Marking Removal Line 4-Inch	2,915.000 LF	_____.	_____.
0374	648.0100 Locating No-Passing Zones	3.330 MI	_____.	_____.
0376	650.4000 Construction Staking Storm Sewer	65.000 EACH	_____.	_____.
0378	650.4500 Construction Staking Subgrade	12,165.000 LF	_____.	_____.
0380	650.5000 Construction Staking Base	22,640.000 LF	_____.	_____.
0382	650.5500 Construction Staking Curb Gutter and Curb & Gutter	2,566.000 LF	_____.	_____.
0384	650.6000 Construction Staking Pipe Culverts	41.000 EACH	_____.	_____.



Proposal Schedule of Items

Proposal ID: 20250211033 Project(s): 1590-18-71, 1590-18-81, 1590-18-82, 1590-18-83, 9813-02-70

Federal ID(s): N/A, N/A, WISC 2025334, N/A, N/A

SECTION: 0001 Contract Items

Alt Set ID: Alt Mbr ID:

Proposal Line Number	Item ID Description	Approximate Quantity and Units	Unit Price	Bid Amount
0386	650.6501 Construction Staking Structure Layout (structure) 001. C-21-9703	1.000 EACH	_____.	_____.
0388	650.6501 Construction Staking Structure Layout (structure) 002. B-21-35	1.000 EACH	_____.	_____.
0390	650.7000 Construction Staking Concrete Pavement	1,233.000 LF	_____.	_____.
0392	650.8000 Construction Staking Resurfacing Reference	53,261.000 LF	_____.	_____.
0394	650.9000 Construction Staking Curb Ramps	27.000 EACH	_____.	_____.
0396	650.9500 Construction Staking Sidewalk (project) 001. 1590-18-71	1.000 EACH	_____.	_____.
0398	650.9500 Construction Staking Sidewalk (project) 003. 9813-02-70	1.000 EACH	_____.	_____.
0400	650.9911 Construction Staking Supplemental Control (project) 001. 1590-18-71	1.000 EACH	_____.	_____.
0402	650.9911 Construction Staking Supplemental Control (project) 002. 1590-18-81	1.000 EACH	_____.	_____.
0404	650.9911 Construction Staking Supplemental Control (project) 003. 1590-18-82	1.000 EACH	_____.	_____.
0406	650.9911 Construction Staking Supplemental Control (project) 004. 9813-02-70	1.000 EACH	_____.	_____.
0408	650.9920 Construction Staking Slope Stakes	12,565.000 LF	_____.	_____.
0410	652.0105 Conduit Rigid Metallic 3/4-Inch	25.000 LF	_____.	_____.



Proposal Schedule of Items

Proposal ID: 20250211033 Project(s): 1590-18-71, 1590-18-81, 1590-18-82, 1590-18-83, 9813-02-70

Federal ID(s): N/A, N/A, WISC 2025334, N/A, N/A

SECTION: 0001 Contract Items

Alt Set ID: Alt Mbr ID:

Proposal Line Number	Item ID Description	Approximate Quantity and Units	Unit Price	Bid Amount
0412	652.0110 Conduit Rigid Metallic 1-Inch	23.000 LF	_____	_____
0414	652.0205 Conduit Rigid Nonmetallic Schedule 40 3/4-Inch	94.000 LF	_____	_____
0416	652.0210 Conduit Rigid Nonmetallic Schedule 40 1-Inch	471.000 LF	_____	_____
0418	652.0225 Conduit Rigid Nonmetallic Schedule 40 2-Inch	385.000 LF	_____	_____
0420	653.0164 Pull Boxes Non-Conductive 24x42-Inch	4.000 EACH	_____	_____
0422	653.0208 Junction Boxes 8x8x8-Inch	2.000 EACH	_____	_____
0424	655.0615 Electrical Wire Lighting 10 AWG	1,686.000 LF	_____	_____
0426	690.0150 Sawing Asphalt	7,749.000 LF	_____	_____
0428	690.0250 Sawing Concrete	123.000 LF	_____	_____
0430	715.0502 Incentive Strength Concrete Structures	5,618.000 DOL	1.00000	5,618.00
0432	715.0720 Incentive Compressive Strength Concrete Pavement	1,000.000 DOL	1.00000	1,000.00
0434	740.0440 Incentive IRI Ride	45,200.000 DOL	1.00000	45,200.00
0436	ASP.1T0A On-the-Job Training Apprentice at \$5.00/HR	2,100.000 HRS	5.00000	10,500.00
0438	ASP.1T0G On-the-Job Training Graduate at \$5.00/HR	4,800.000 HRS	5.00000	24,000.00



Proposal Schedule of Items

Proposal ID: 20250211033 Project(s): 1590-18-71, 1590-18-81, 1590-18-82, 1590-18-83, 9813-02-70

Federal ID(s): N/A, N/A, WISC 2025334, N/A, N/A

SECTION: 0001 Contract Items

Alt Set ID: Alt Mbr ID:

Proposal Line Number	Item ID Description	Approximate Quantity and Units	Unit Price	Bid Amount
0440	SPV.0035 Special 201. Utility Trench Rock Excavation	500.000 CY	_____.	_____.
0442	SPV.0060 Special 001. Adjusting Water Valves	8.000 EACH	_____.	_____.
0444	SPV.0060 Special 002. Adjusting Sanitary Manhole Covers	4.000 EACH	_____.	_____.
0446	SPV.0060 Special 003. Foam Sealant Joint Repair C-21-9703	1.000 EACH	_____.	_____.
0448	SPV.0060 Special 101. Precast Concrete Panel	2.000 EACH	_____.	_____.
0450	SPV.0060 Special 102. Posts Wood 4X4-Inch X 12-FT	23.000 EACH	_____.	_____.
0452	SPV.0060 Special 103. Posts Wood 4X4-Inch X 14-FT	67.000 EACH	_____.	_____.
0454	SPV.0060 Special 104. Tunnel Luminaire	6.000 EACH	_____.	_____.
0456	SPV.0060 Special 106. Electrical Service Meter Breaker Pedestal Special	1.000 EACH	_____.	_____.
0458	SPV.0060 Special 106. Precast Concrete Planter	8.000 EACH	_____.	_____.
0460	SPV.0060 Special 107. Kiosks	4.000 EACH	_____.	_____.
0462	SPV.0060 Special 108. Concrete Footing (Concrete Base)	39.000 EACH	_____.	_____.
0464	SPV.0060 Special 109. Benches	8.000 EACH	_____.	_____.
0466	SPV.0060 Special 202. Removing Sanitary Manhole	1.000 EACH	_____.	_____.



Proposal Schedule of Items

Proposal ID: 20250211033 Project(s): 1590-18-71, 1590-18-81, 1590-18-82, 1590-18-83, 9813-02-70

Federal ID(s): N/A, N/A, WISC 2025334, N/A, N/A

SECTION: 0001 Contract Items

Alt Set ID: Alt Mbr ID:

Proposal Line Number	Item ID Description	Approximate Quantity and Units	Unit Price	Bid Amount
0468	SPV.0060 Special 203. Removing Sanitary Cleanout	10.000 EACH	_____.	_____.
0470	SPV.0060 Special 204. Abandon Sanitary Manhole	2.000 EACH	_____.	_____.
0472	SPV.0060 Special 205. Remove Hydrant	5.000 EACH	_____.	_____.
0474	SPV.0060 Special 206. Remove 6-Inch Gate Valve	6.000 EACH	_____.	_____.
0476	SPV.0060 Special 207. Remove 8-Inch Gate Valve	1.000 EACH	_____.	_____.
0478	SPV.0060 Special 208. Remove 12-Inch Gate Valve	2.000 EACH	_____.	_____.
0480	SPV.0060 Special 209. Remove Valve Box	4.000 EACH	_____.	_____.
0482	SPV.0060 Special 210. Air Release Valve Manhole	1.000 EACH	_____.	_____.
0484	SPV.0060 Special 211. Connect To Existing Force Main	3.000 EACH	_____.	_____.
0486	SPV.0060 Special 212. Reconnect Existing Sanitary Lateral	10.000 EACH	_____.	_____.
0488	SPV.0060 Special 213. Temporary 4-Inch Sanitary Connection	5.000 EACH	_____.	_____.
0490	SPV.0060 Special 214. Temporary 6-Inch Force Main Connection	6.000 EACH	_____.	_____.
0492	SPV.0060 Special 215. Reconnect Existing Water Service Lateral	1.000 EACH	_____.	_____.
0494	SPV.0060 Special 216. Temporary Water Main Connection, 6-Inch	7.000 EACH	_____.	_____.



Proposal Schedule of Items

Proposal ID: 20250211033 Project(s): 1590-18-71, 1590-18-81, 1590-18-82, 1590-18-83, 9813-02-70

Federal ID(s): N/A, N/A, WISC 2025334, N/A, N/A

SECTION: 0001 Contract Items

Alt Set ID: Alt Mbr ID:

Proposal Line Number	Item ID Description	Approximate Quantity and Units	Unit Price	Bid Amount
0496	SPV.0060 Special 217. Connect To Existing Water Main	4.000 EACH	_____.	_____.
0498	SPV.0060 Special 218. 6-Inch Gate Valve And Box	11.000 EACH	_____.	_____.
0500	SPV.0060 Special 219. 8-Inch Gate Valve And Box	14.000 EACH	_____.	_____.
0502	SPV.0060 Special 220. Fire Hydrant	11.000 EACH	_____.	_____.
0504	SPV.0060 Special 221. Remove And Reset Gate And Post	1.000 EACH	_____.	_____.
0506	SPV.0060 Special 222. Utility Line Openings	10.000 EACH	_____.	_____.
0508	SPV.0060 Special 247. Construction Staking Sanitary Sewer And Force Main (Project) 1590-18-83	1.000 EACH	_____.	_____.
0510	SPV.0060 Special 248. Construction Staking Water Main (Project) 1590-18-83	1.000 EACH	_____.	_____.
0512	SPV.0060 Special 253. Sanitary Sewer 8-Inch Cleanout	1.000 EACH	_____.	_____.
0514	SPV.0090 Special 101. Railing	3,693.000 LF	_____.	_____.
0516	SPV.0090 Special 102. Profile Curb Cut	86.000 LF	_____.	_____.
0518	SPV.0090 Special 103. Staked Wattles	21,923.000 LF	_____.	_____.
0520	SPV.0090 Special 223. Remove Existing Sanitary Force Main 6-Inch Or Smaller	3,648.000 LF	_____.	_____.
0522	SPV.0090 Special 224. Remove Existing Casing Pipe	60.000 LF	_____.	_____.



Proposal Schedule of Items

Proposal ID: 20250211033 Project(s): 1590-18-71, 1590-18-81, 1590-18-82, 1590-18-83, 9813-02-70

Federal ID(s): N/A, N/A, WISC 2025334, N/A, N/A

SECTION: 0001 Contract Items

Alt Set ID: Alt Mbr ID:

Proposal Line Number	Item ID Description	Approximate Quantity and Units	Unit Price	Bid Amount
0524	SPV.0090 Special 225. Remove Existing Water Main 12-Inch Or Smaller	3,346.000 LF	_____.	_____.
0526	SPV.0090 Special 226. Remove 24-Inch Steel Casing	50.000 LF	_____.	_____.
0528	SPV.0090 Special 227. Abandon 6-Inch Or Smaller Sanitary Or Force Main	9,863.000 LF	_____.	_____.
0530	SPV.0090 Special 228. Abandon 8-Inch Or Smaller Water Main	1,287.000 LF	_____.	_____.
0532	SPV.0090 Special 229. Abandon 12-Inch Water Main	1,115.000 LF	_____.	_____.
0534	SPV.0090 Special 230. 6-Inch Lift Station Force Main	8,130.000 LF	_____.	_____.
0536	SPV.0090 Special 231. 6-Inch Effluent Force Main	6,682.000 LF	_____.	_____.
0538	SPV.0090 Special 232. 8-Inch Sanitary Sewer Pipe	6,516.000 LF	_____.	_____.
0540	SPV.0090 Special 233. 8-Inch Sanitary Sewer SDR 26 Pipe	400.000 LF	_____.	_____.
0542	SPV.0090 Special 234. 2-Inch Sanitary Lateral	33.000 LF	_____.	_____.
0544	SPV.0090 Special 235. 4-Inch Sanitary Laterall	435.000 LF	_____.	_____.
0546	SPV.0090 Special 236. 6-Inch Sanitary Lateral	54.000 LF	_____.	_____.
0548	SPV.0090 Special 237. 1-Inch Water Service Lateral	43.000 LF	_____.	_____.



Proposal Schedule of Items

Proposal ID: 20250211033 Project(s): 1590-18-71, 1590-18-81, 1590-18-82, 1590-18-83, 9813-02-70

Federal ID(s): N/A, N/A, WISC 2025334, N/A, N/A

SECTION: 0001 Contract Items

Alt Set ID: Alt Mbr ID:

Proposal Line Number	Item ID Description	Approximate Quantity and Units	Unit Price	Bid Amount
0550	SPV.0090 Special 238. 6-Inch Water Main (Includes Hydrant Leads)	189.000 LF	_____	_____
0552	SPV.0090 Special 239. 8-Inch Water Main	5,862.000 LF	_____	_____
0554	SPV.0090 Special 241. Over Excavation For Pipe Bedding 0.5-FT To 1.5-FT (Force Main)	600.000 LF	_____	_____
0556	SPV.0090 Special 242. Over Excavation For Pipe Bedding 1.6-FT To 3.0-FT (Force Main)	600.000 LF	_____	_____
0558	SPV.0090 Special 243. Over Excavation For Pipe Bedding 0.5-FT To 1.5-FT (San 9-FT - 14FT Deep)	400.000 LF	_____	_____
0560	SPV.0090 Special 244. Over Excavation For Pipe Bedding 1.6-FT To 3.0-FT (San 9-FT - 14FT Deep)	400.000 LF	_____	_____
0562	SPV.0090 Special 245. Over Excavation For Pipe Bedding 0.5-FT To 1.5-FT (San 14.1-FT - 25FT Deep)	400.000 LF	_____	_____
0564	SPV.0090 Special 246. Over Excavation For Pipe Bedding 1.6-FT To 3.0-FT (San 14.1-FT - 25FT Deep)	400.000 LF	_____	_____
0566	SPV.0090 Special 247. 2-1/2 - Inch Lift Station Force Main	95.000 LF	_____	_____
0568	SPV.0180 Special 001. Protective Thermoplastic Coating at Snowmobile Trail Crossings	315.000 SY	_____	_____
0570	SPV.0200 Special 249. 4-Inch Sanitary Lateral Riser	3.000 VF	_____	_____
0572	SPV.0200 Special 250. 6-Inch Sanitary Lateral Riser	3.000 VF	_____	_____



Proposal Schedule of Items

Proposal ID: 20250211033 **Project(s):** 1590-18-71, 1590-18-81, 1590-18-82, 1590-18-83, 9813-02-70

Federal ID(s): N/A, N/A, WISC 2025334, N/A, N/A

SECTION: 0001 Contract Items

Alt Set ID: **Alt Mbr ID:**

Proposal Line Number	Item ID Description	Approximate Quantity and Units	Unit Price	Bid Amount
0574	SPV.0200 Special 251. Sanitary Sewer Manhole 4-FT Diameter	274.840 VF	_____.	_____.
0576	SPV.0200 Special 252. Sanitary Sewer Outside Drop Manhole	19.560 VF	_____.	_____.
0578	643.0920 Traffic Control Covering Signs Type II	7.000 EACH	_____.	_____.
Section: 0001			Total:	_____.
			Total Bid:	_____.

